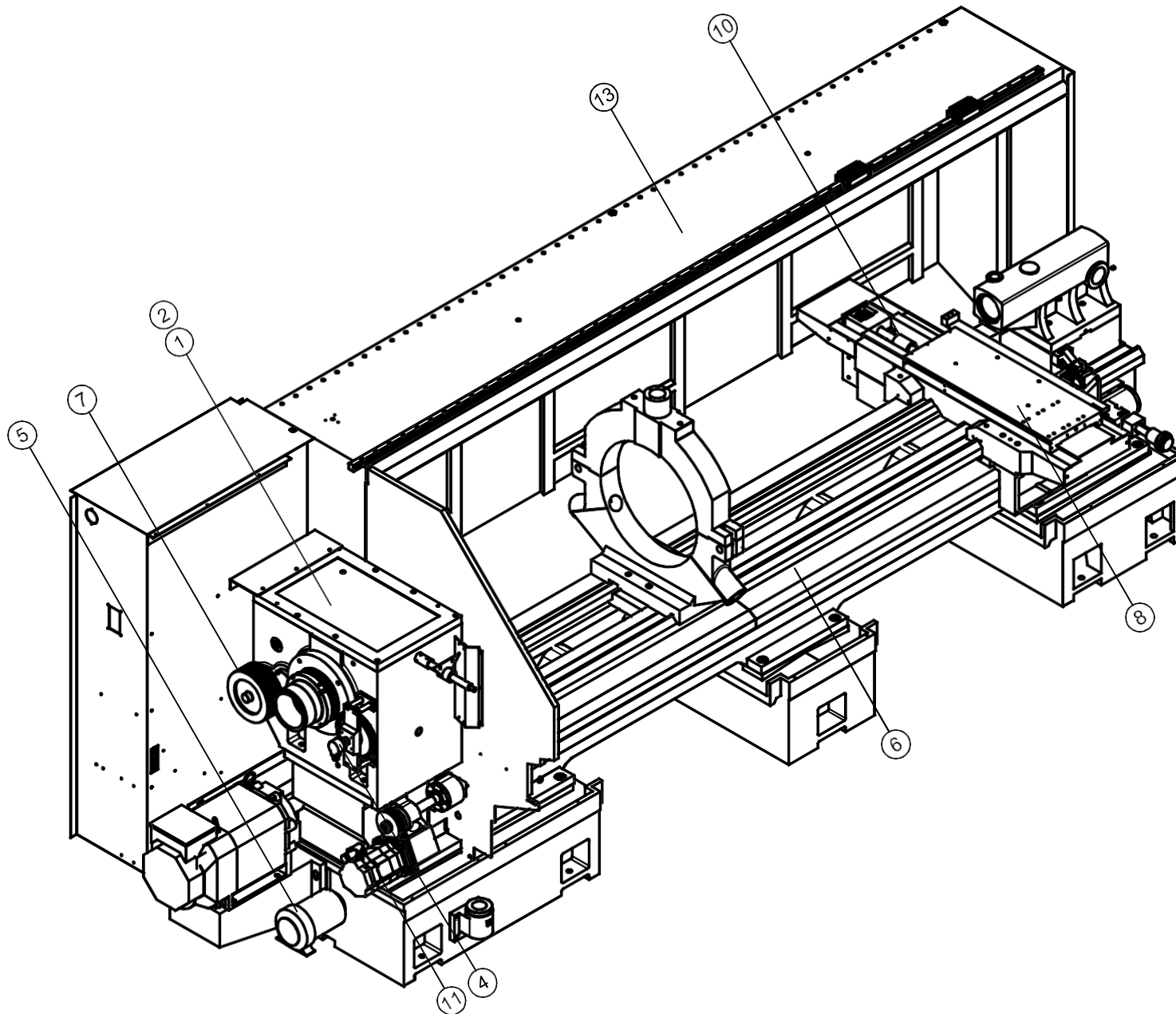


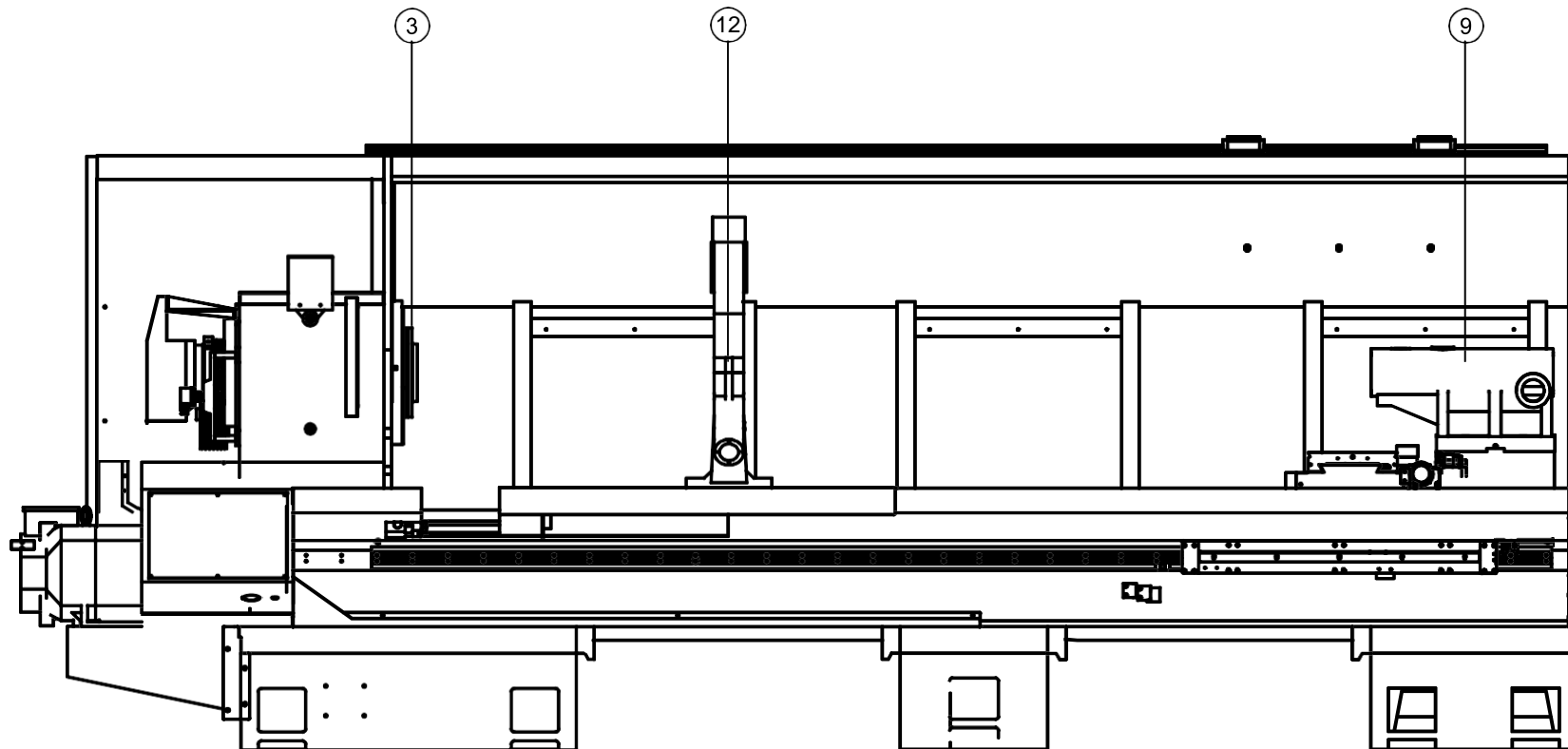
# **CHAPTER 9**

**XYZ**

## **PARTS LIST**

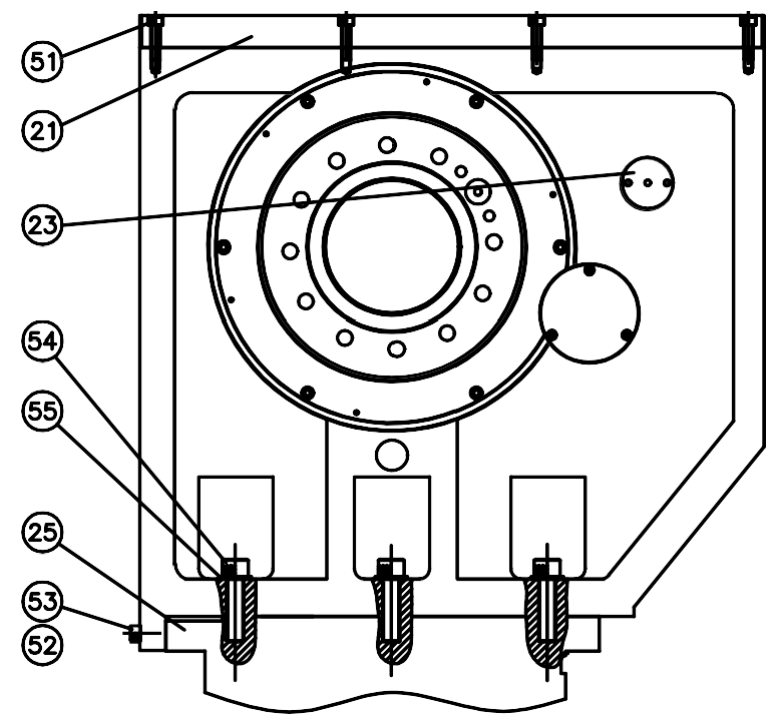
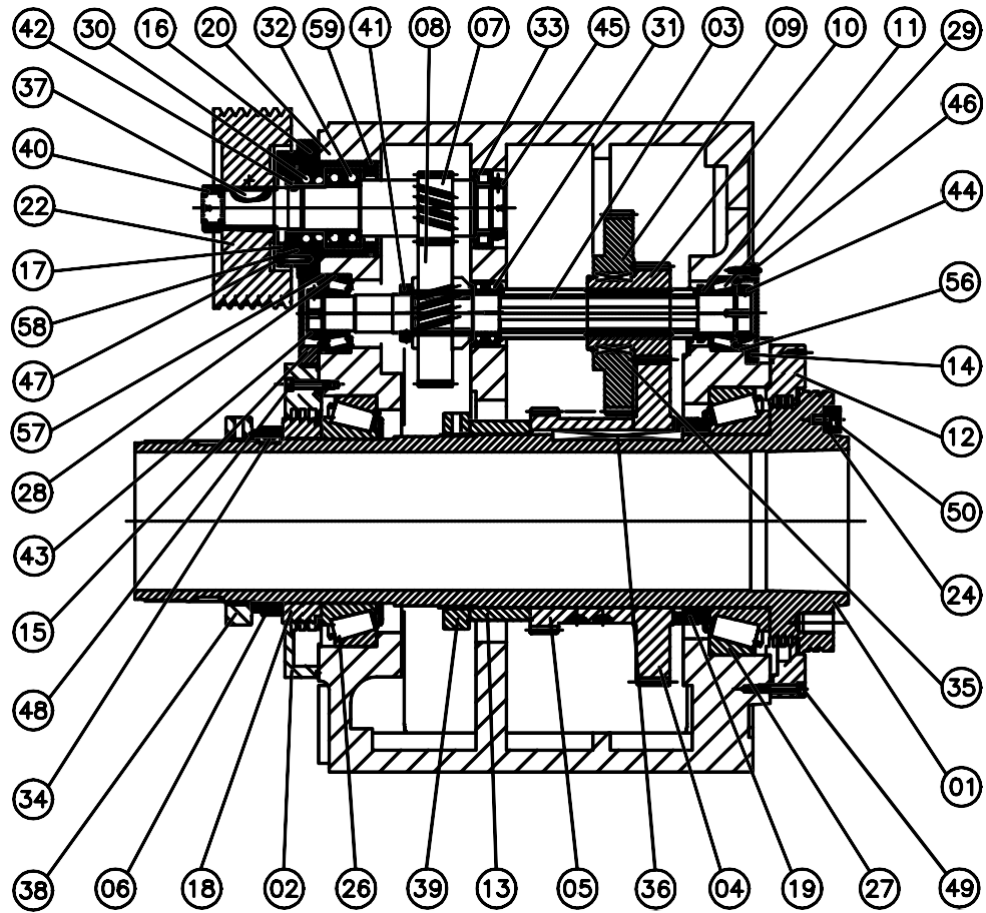
*Machine Tools*





**MACHINE MODULE ELEMENTS**

<b>No</b>	<b>Part Number</b>	<b>Description</b>	<b>Q'ty</b>	<b>Remarks</b>	<b>XYZ Part Number</b>
1		Spindle drive assembly	1	H01-1	
2		Speed selector assembly	1	H02-1	
3		Chuck cover assembly	1	H03-1	
4		Encoder assembly	1	H04-1	
5		Head lubrication assembly	1	H05-1	
6		Bed assembly	1	H06-1	
7		Spindle motor drive assembly	1	H07-1	
8		Saddle assembly	1	H08-1	
9		Tailstock assembly	1	H10-1	
10		X axis drive assembly	1	H11-1	
11		Z axis drive assembly	1	H12-1	
12		Stationary steady	1	H13-1	
13		Guard assembly	1	H15-1	
14					
15					
16					
17					
18					
19					
20					
21					
22					
23					
24					
25					
26					
27					
28					
29					
30					
31					
32					
33					
34					
35					
36					
37					
38					



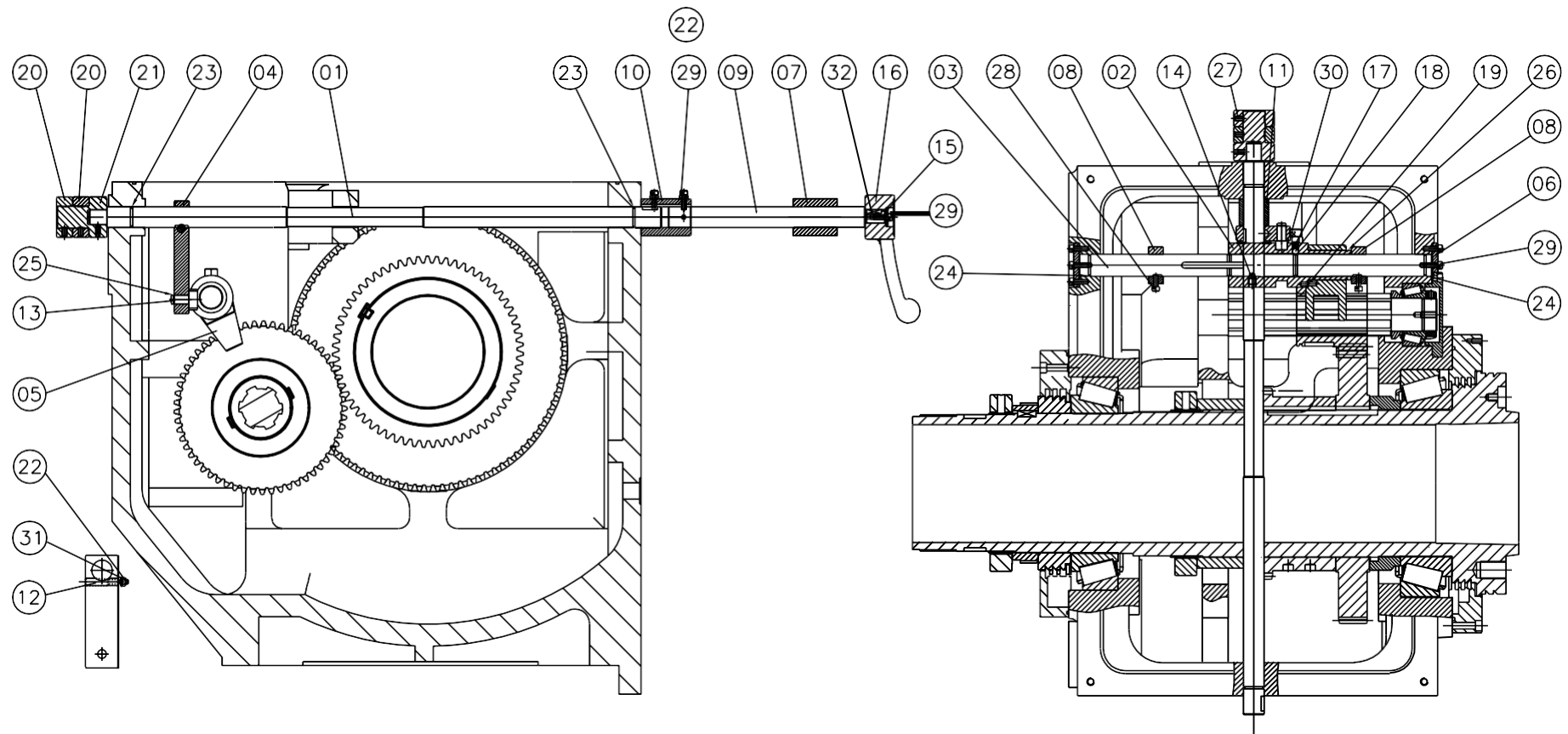
Spindle Drive Assembly

## SPINDLE DRIVE ASSEMBLY

No	Part Number	Description	Q'ty	Remarks	XYZ Part Number
1	LN010030	SPINDLE	1		16381
2	LN010040	REAR COVER	1		
3	LN010060	SLIDE SHAFT	1		Assembly 18437
4	LN010070	GEAR	1		18438
5	LN010080	GEAR	1		18439
6	LN010090	BELT GEAR	1		18440
7	LN010100	GEAR	1		18441
8	LN010110	GEAR	1		18442
9	LN010120	GEAR	1		Assembly 18437
10	LN010130	GEAR	1		Assembly 18437
11	LN010170	SPRING	1		
12	LN010180	FRONT COVER	1		
13	LN010190	SPACER	1		
14	LN010210	COVER	1		
15	LN010220	COVER	1		
16	LN010230	COVER	1		
17	LN010250	SHAFT BEARING	1		18443
18	LN010270	SPACER	1		
19	LN010280	SPACER	1		
20	LN010300	HEAD	1		
21	LN010310	HEAD COVER	1		
22	LN010400	SPINDLE DRIVE PULLY	1		18444
23	LN010620	REAR COVER	2		
24	LN010840	PIN	1		
25	LN040010	BED	1		
26	AB32038	BEARING	1	32038	18445
27	AB32040	BEARING	1	32040	18446
28	AB32308	BEARING	1	32308	18447
29	AB32209	BEARING	1	33209	18448
30	AB5210	BEARING	1	5210	18449
31	AB6009	BEARING	2	6009	3080
32	AB7210	BEARING	2	7210	12379
33		BEARING	1	NUP_210_ ECP	18450
34	AK1208025	KEY	1	12x8x25L	
35	AK1208040	KEY	2	12x8x40L	

**PARTS LIST**

36	AK1812150	KEY	1	18x11x150L	
37	AKR108016	WOODRUFF KEY	1	R16x8	
38	ANN403190	LOCK NUT	1	MR M190x3	
39	ANN403200	LOCK NUT	1	MR M200x3	
40	ANN515035	LOCK NUT	1	MKR M35x1.5	
41	ANN415045	LOCK NUT	1	MR M45x1.5	
42	ANN415050	LOCK NUT	1	MR M50x1.5	
43	ANN615040	LOCK NUT	1	HKR M40x1.5	
44	ANN615045	LOCK NUT	1	HKR M45x1.5	
45	ANN615050	LOCK NUT	1	HKR M50x1.5	
46	ASM606020	CAP HEAD SCREW	3	M6x20L	
47	ASM606030	CAP HEAD SCREW	6	M6x30L	
48	ASM608040	CAP HEAD SCREW	4	M8x40L	
49	ASM608045	CAP HEAD SCREW	6	M8x45L	
50	ASM610020	CAP HEAD SCREW	1	M10x20L	
51	ASM610040	CAP HEAD SCREW	10	M10x40L	
52	ASM612030	CAP HEAD SCREW	2	M12x40L	
53	ASM612035	CAP HEAD SCREW	2	M12x50L	
54	ASM620075	CAP HEAD SCREW	5	M20x75L	
55	AWMH01020	SPRING WASHER	4	M20	
56	AOR170759	OIL RING	1	Ø75.92X1.78	
57	AOR170822	OIL RING	1	Ø82.27x1.78	
58	AOR260885	OIL RING	1	Ø88.57x2.62	
59	AOR201045	OIL RING	1	Ø104.5X2	

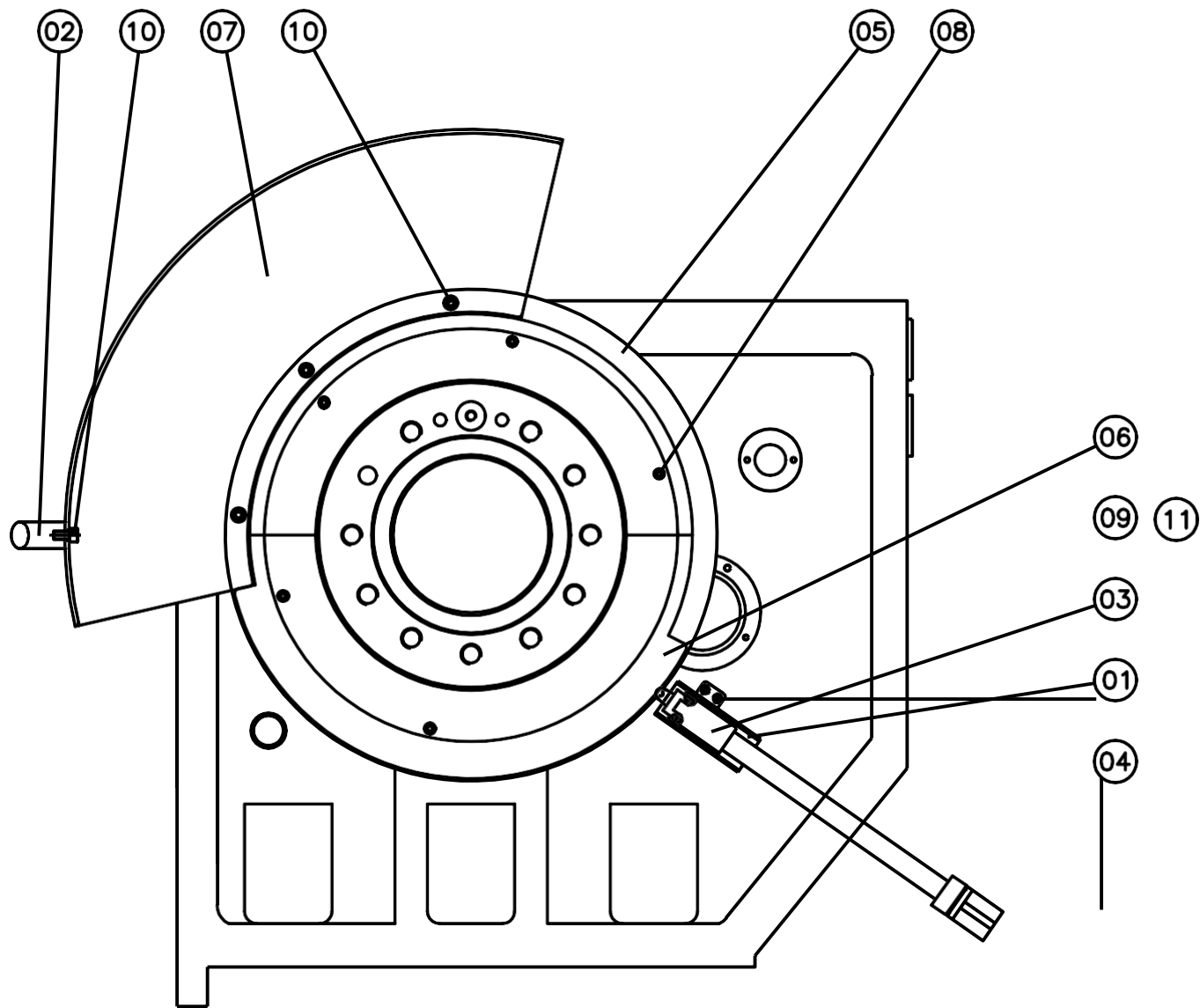


Speed Selector Assembly



## SPEED SELECTOR ASSEMBLY

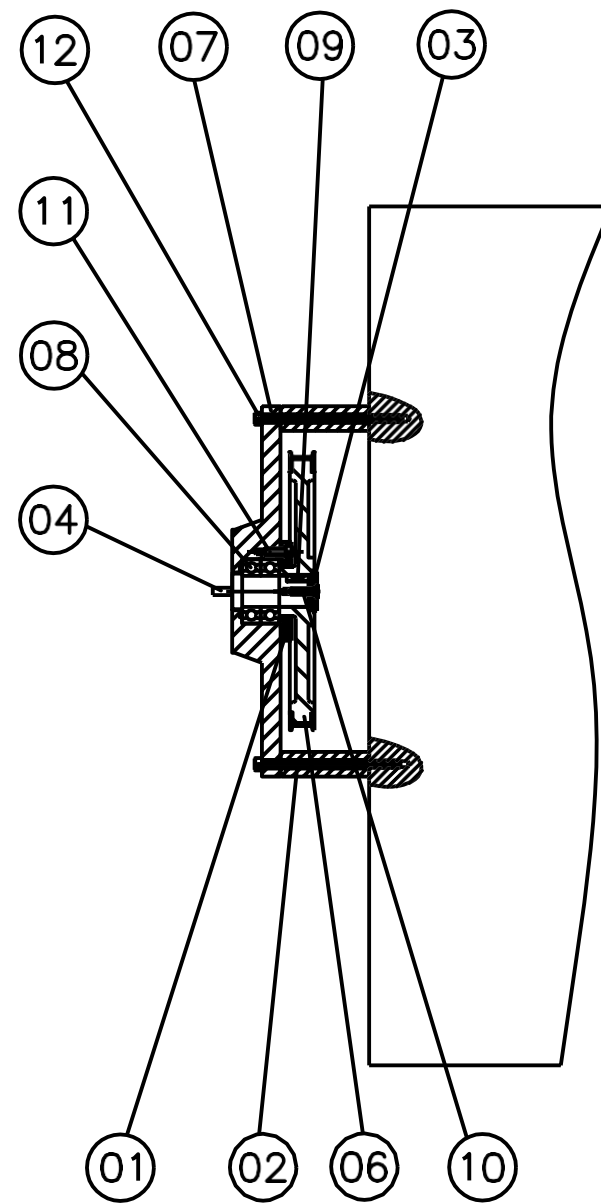
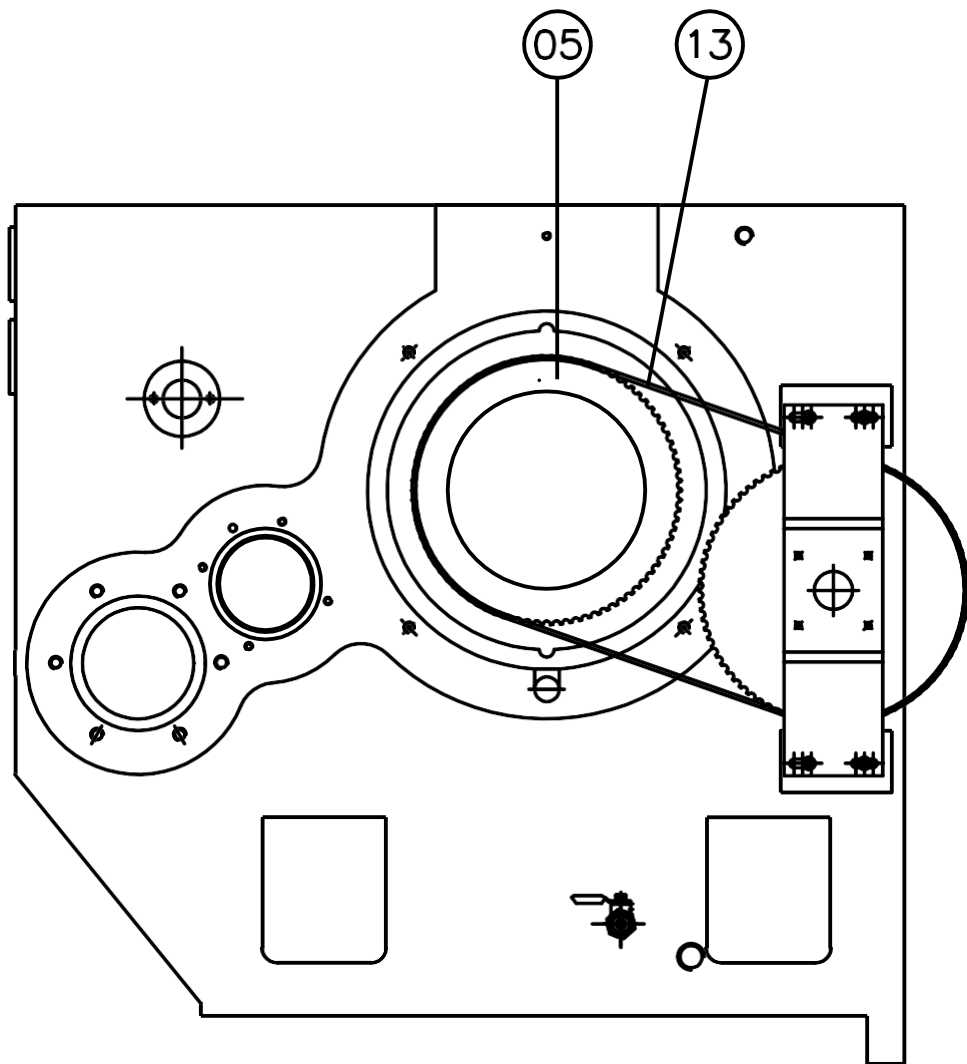
No	Part Number	Description	Q'ty	Remarks	XYZ Part Number
1	LN010330	SHAFT	1		18557
2	LN010340	SLIDE SHAFT	1		18558
3	LN010350	SHAFT	1		18559
4	LN010370	SWING ARM	1		
5	LN010390	SWING ARM	1		
6	LN010620	REAR COVER	2		
7	LN010780	PITMAN SHAFT	1		
8	LN010890		2		
9	LN010910		1		
10	LN010920	PITMAN SHAFT	1		
11	LN010980		1		
12	LM010450	FIXED PIN	1		4676
13	KR010380	CATCH BLOCK	1		4672
14	KR010460	DOG SCREW	1		5740
15	KR010480	SPACER	1		4677
16	KR010500	SPEED SELECTOR LEVER	1		4678
17	KR010730	SPRING	1		4680
18	KR010750	BALL	1		4681
19	KR010780	FIXED PIN	1	5x15mm	4684
20	KR010800	ADJUSTING SCREW	2		
21	KR010810	SHAFT	1		
22	ANM110006	NUT	4	M6	
23	AOR250024	OIL RING	2	ψ24×2.5	
24	AOR250026	OIL RING	2	ψ26×2.5	
25	ARS110012	RING	1	12	
26	ARS116038	RING	1	38	
27	ASM406012	HEADLESS HEAD SCREW	6	M6x20	
28	ASM606012	CAP HEAD SCREW	3	M6x12	
29	ASM606020	CAP HEAD SCREW	9	M6x20	
30	ASM610025	CAP HEAD SCREW	1	M10x25	
31	AWMT01006	BRIGHT WASHER	1	M6	
32	AK0505020	KEY	1	5x5x20	
33					
34					
35					



Chuck Cover Assembly

**CHUCK COVER ASSEMBLY**

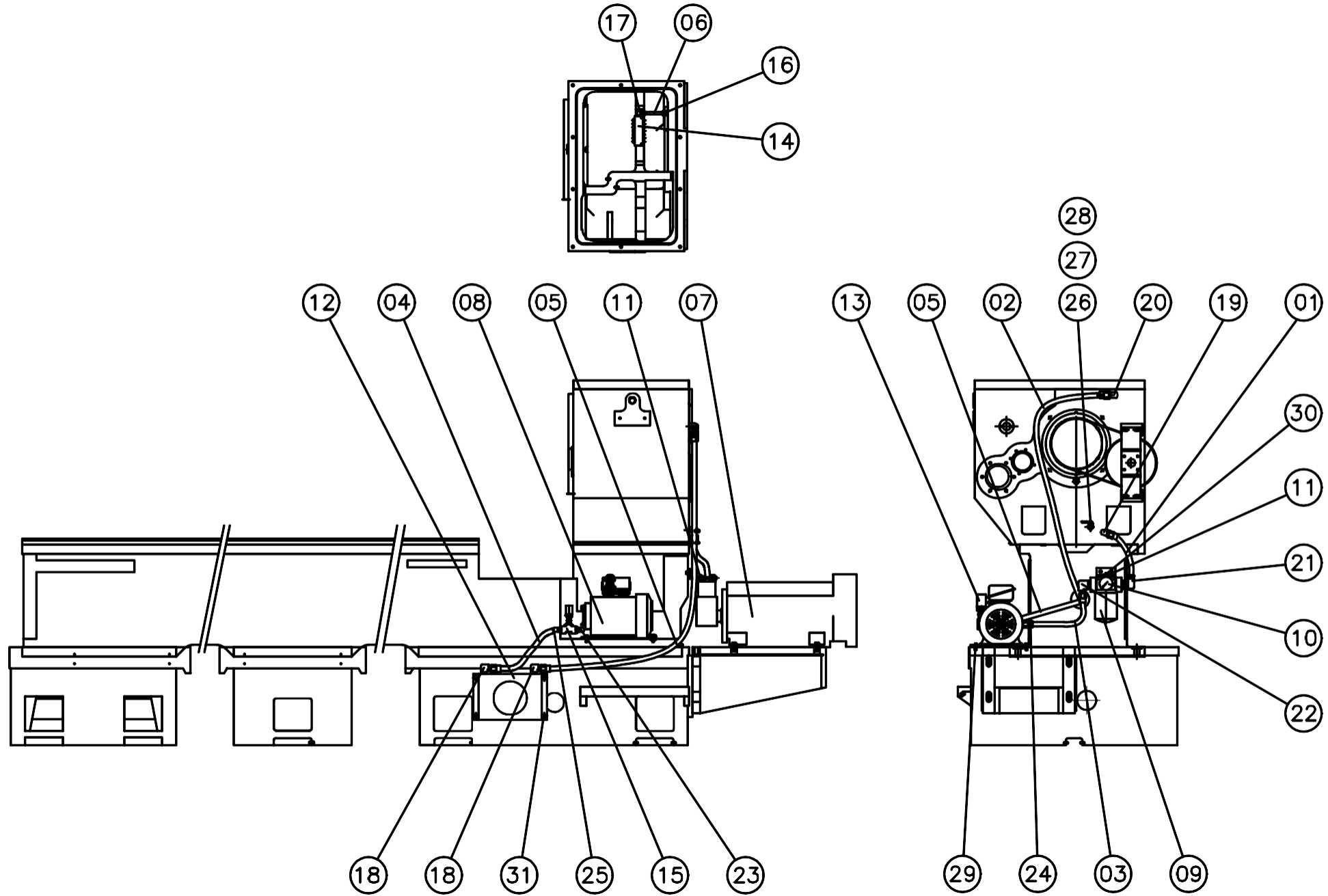
No	Part Number	Description	Q'ty	Remarks	XYZ Part number
1	KR400600	LIMIT SWITCH BASE	1		
2	KR570030	HANDLE	1		4810
3	KR570100	LIMT SWITCH	1		3351
4	KR570180	PLASTIC ELBOW	1		
5	LN010510	CHUCK COVER	1		14268
6	LN010660	LIMIT COLLAR	1		
7	LN400590	CHUCK COVER	1		14268
8	ASM106030	BUTTON HEAD SCREW	5	M6x30L	
9	ASM605015	CAP HEAD SCREW	2	M5x16L	
10	ASM608015	CAP HEAD SCREW	5	M8x16L	
11	AWMT01005	BRIGHT WASHER	5	M5	
12					
13					
14					
15					
16					
17					
18					
19					
20					
21					
22					
23					
24					
25					
26					
27					
28					
29					
30					
31					
32					
33					
34					
35					
36					
37					
38					



Encoder Assembly

**ENCODER ASSEMBLY**

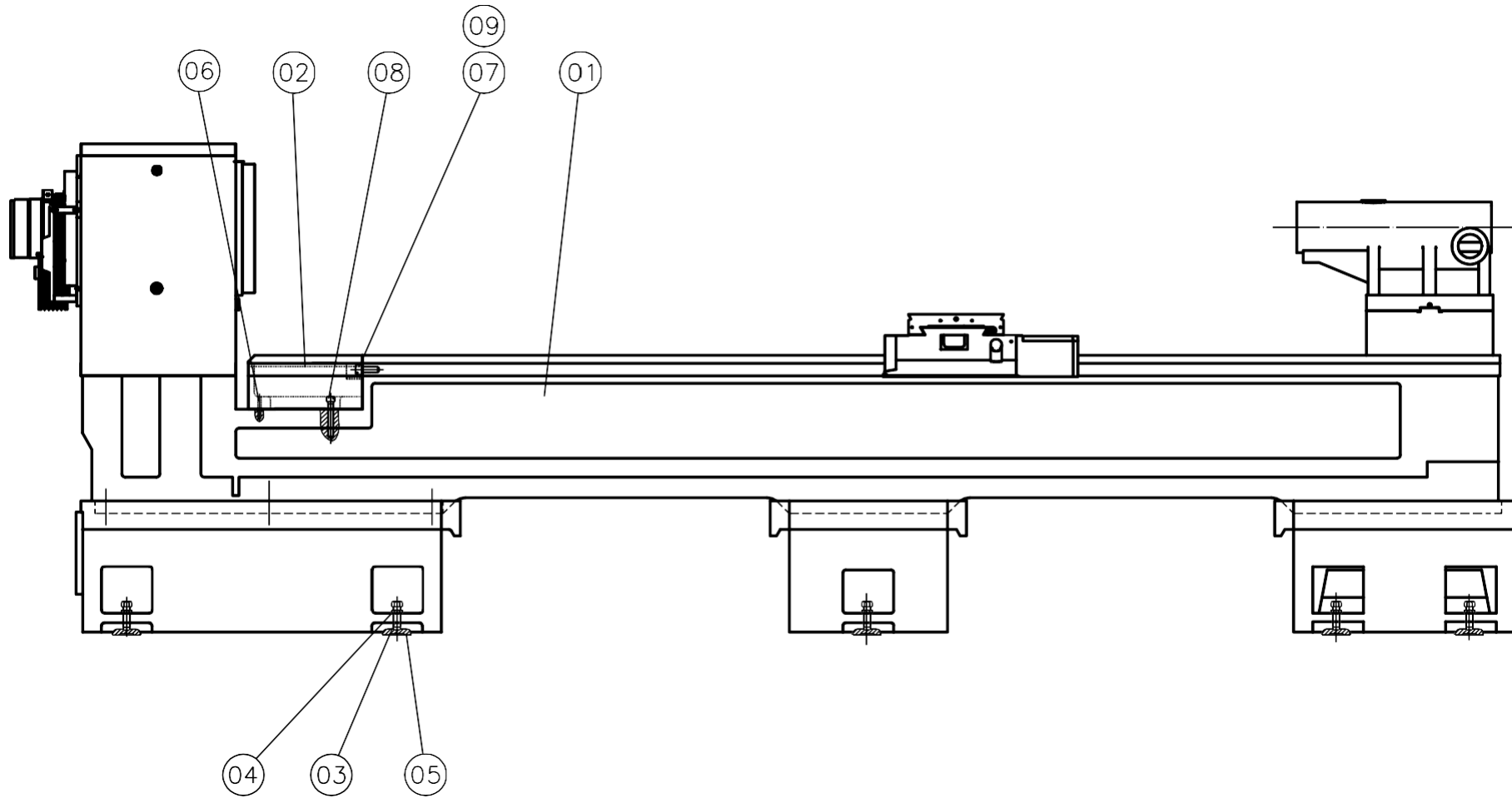
<b>No</b>	<b>Part Number</b>	<b>Description</b>	<b>Q'ty</b>	<b>Remarks</b>	<b>XYZ Part Number</b>
1	LN010580	COVER	1		
2	LN010590	CIRCULAR CYLINDER	4		
3	LN010600	SPACER	1		
4	LN010610	SHAFT	1		18560
5	LN010090	GEAR	1		18440
6	LM010550	GEAR	1		18561
7	LN010570	BRACKET	1		
8	AB620500M	BEARING	2	6205ZZ	4455
9	AK0505015	KEY	1	5x5x15L	
10	ASM305020	FLAT HEAD SCREW	2	M5x20	
11	ASM605016	CAP HEAD SCREW	3	M5x16	
12	ASM606060	CAP HEAD SCREW	4	M6x110L	
13	ABE0400830	BELT	1	S8M-1184-14W	18375
14					
15					
16					
17					
18					
19					
20					
21					
22					
23					
24					
25					
26					
27					
28					
29					
30					
31					
32					
33					
34					
35					



Head Lubrication Assembly

## HEAD LUBRICATION ASSEMBLY

No	Part Number	Description	Q'ty	Remarks	XYZ Part number
1	LN020060	OIL PIPE	1		
2	LN020070	OIL PIPE	1		
3	LN020080	OIL PIPE	1		
4	LN020090	OIL PIPE	1		
5	LN020100	OIL PIPE	1		
6	LN020270	OIL PIPE	1		
7	LN040100	MOTOR	1		17677
8	KR020010	OIL PUMP	1		3879
9	KR020020	OIL FILTER	1		830
10	KR020030	PRESSURE GAGE	1		9
11	KR020040	OIL FILTER BRACKET	1		
12	LN020050	COOLING FAN	1		5045
13	KR020110	ELECTRO MAGNETIC VALVE	1		
14	KR020120	9 WAY ADAPTER	1		
15	KR020130	3 WAY ADAPTER	1		11238
16	KR020140	ADAPTER	1		
17	KR020150	ELBOW	1	1/2PTx3/8H 90°	
18	KR020160	ELBOW	1	1/2PTx1/2H 90°	
19	KR020170	ELBOW	1	1/4PTx3/8H 90°	
20	KR020180	ELBOW	1	3/4PTx3/8H 90°	
21	KR020190	ELBOW	1	3/4PTx1/2H 90°	
22	KR020200	ELBOW	1	3/8PTx3/8PT	
23	KR020210	ADAPTER	1	3/8PTx3/8H 45°	
24	KR020220	ELBOW	1	3/8PTx3/8H 90°	
25	KR020230	ELBOW	1		
26	KR020240	SWITCH-OIL DRAINAGE	1		
27	KR020250	TUBING SLEEVE	1		
28	KR020260	DRAINAGE PLUG	1	3/8PT	
29	ASM606016	CAP HD SCREW	4	M6x16L	
30	ASM606020	CAP HD SCREW	2	M6x20L	
31	ASM608025	CAP HD SCREW	4	M8x25L	
32					
33					
34					
35					

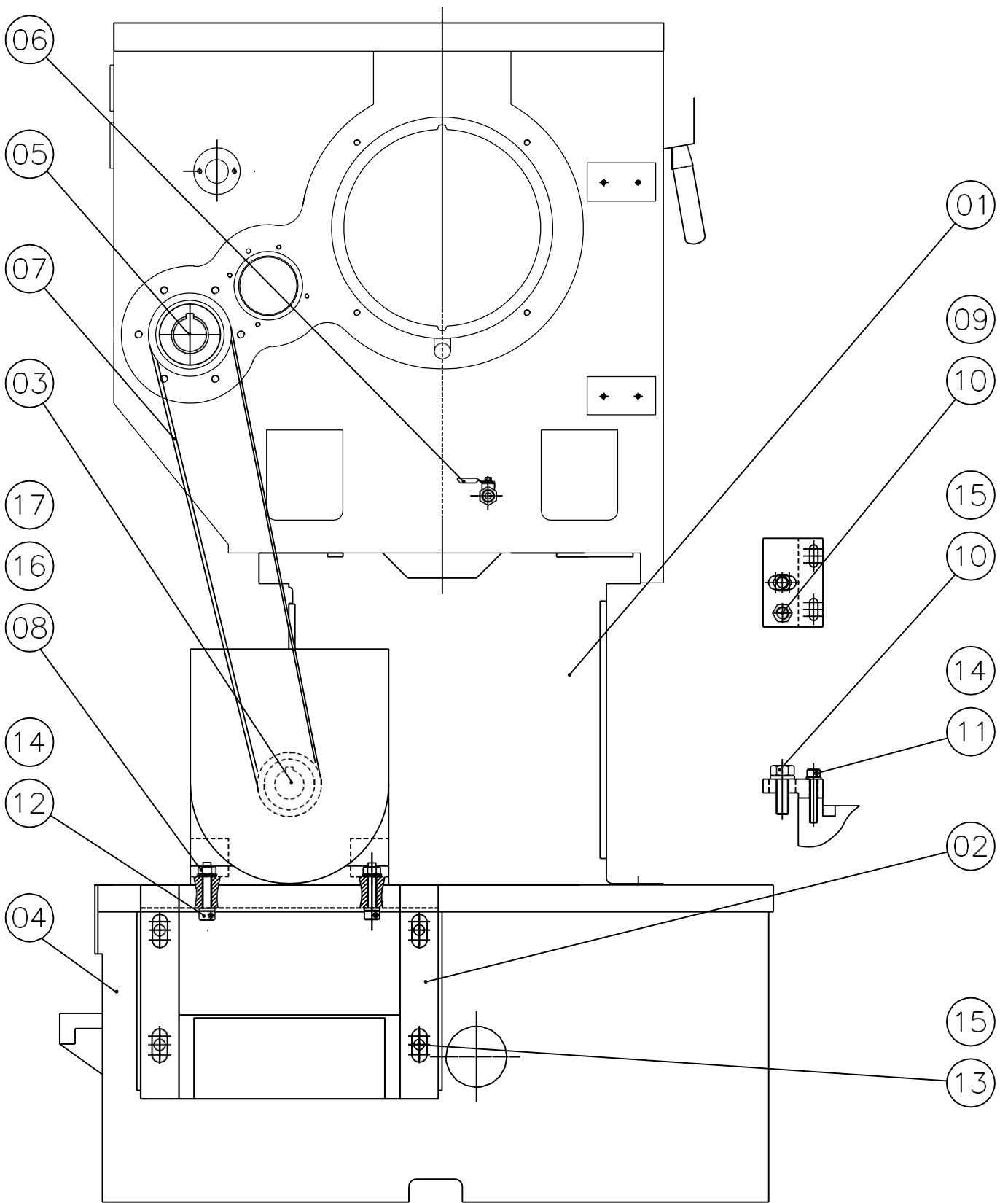


## Bed Assembly



## BED ASSEMBLY

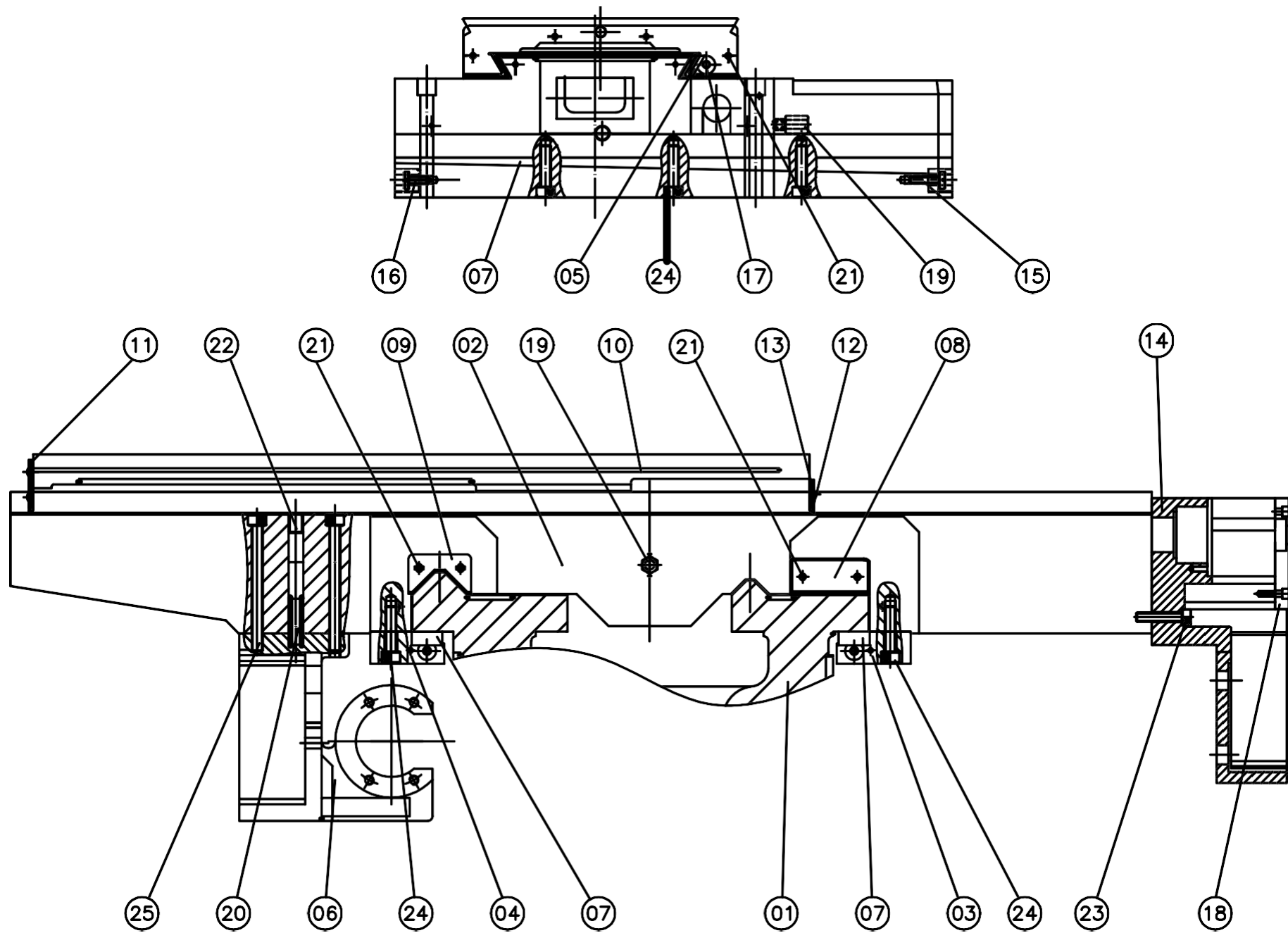
No	Part Number	Description	Q'ty	Remarks	XYZ Part Number
1	LN040010	BED	1		
2	LM040020	SEAT	1		
3	KR040120	ADJUSTABLE SCREW	10		
4	KR040130	HEXAGON NUT	10		
5	KR040140	BLOCK	10		
6	AKP208070	TAPER PIN	2	#8x70L	
7	ASM612070	CAP HD SCREW	2	M12x70L	
8	ASM616070	CAP HD SCREW	4	M16x70L	
9	AWMS01012	SPRING WASHER	2	M12	
10					
11					
12					
13					
14					
15					
16					
17					
18					
19					
20					
21					
22					
23					
24					
25					
26					
27					
28					
29					
30					
31					
32					
33					
34					
35					



# Motor Drive Assembly

**MOTOR DRIVE ASSEMBLY**

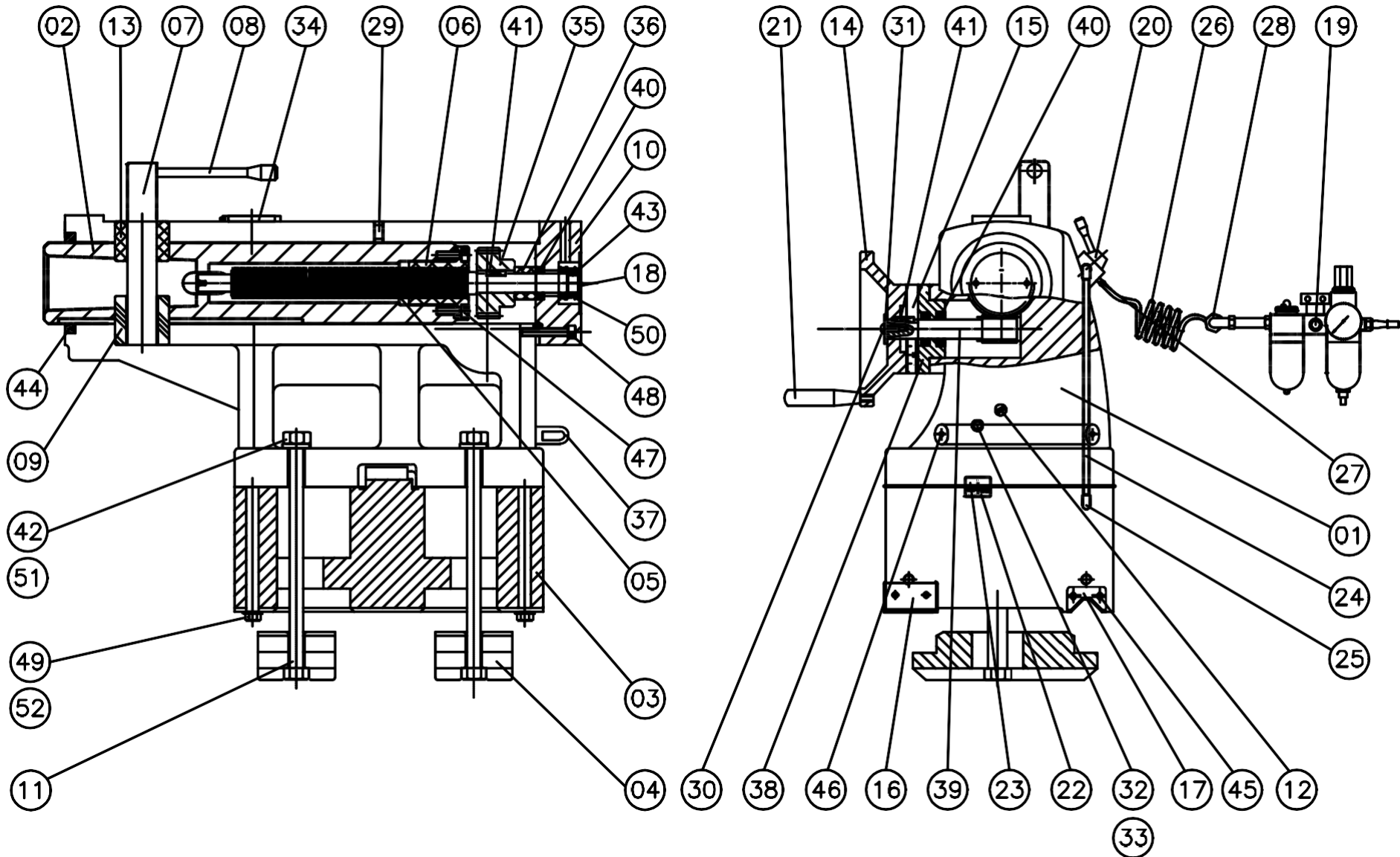
No	Part Number	Description	Q'ty	Remarks	XYZ Part Number
1	LN040010	BED	1		
2	LN040040	MOTOR MOUNTING	1		
3	LN040090	MOTOR PULLEY	1		18562
4	LM040180	BASE	1		
5	LN010400	SPINDLE PULLEY	1		18444
6		BALL VALVE	1		
7	ABE0101800	BELT	3	11MS-1800	13888
8	ANM115010	NUT	4	M10x1.5	
9	ANM112016	NUT	2	M16x2.0	
10	ASM516050	HEXAGON HEAD SCREW	2	M16x50L	
11	ASM610070	CAP HD SCREW	2	M10x70L	
12	ASM612060	CAP HD SCREW	4	M12x60L	
13	ASM616065	CAP HD SCREW	4	M16x65L	
14	AWMH01010	HIGHT BRIGHT WASHER	6	M10	
15	AWMH01016	HIGHT BRIGHT WASHER	6	M16	
16	AWMT01010	BRIGHT WASHER	4	M10	
17	AWMS01010	SPRING WASHER	4	M10	
18					
19					
20					
21					
22					
23					
24					
25					
26					
27					
28					
29					
30					
31					
32					
33					
34					
35					



Saddle Assembly

## SADDLE ASSEMBLY

No	Part Number	Description	Q'ty	Remarks	XYZ Part Number
1	LN040010	BED	1		
2	LN050010	SADDLE	1		
3	LM050050	GIB SEAT	1		
4	LM050060	GIB SEAT	1		
5	LM050070	GIB	1		17449
6	LN050080	APRON/BALL NUT BRACKET	1		
7	LM050110	GIB(Z)	2		18563
8	LM050140	SADDLE FLAT WIPER	2		Part Of Kit P/N 10756
9	LM050150	SADDLE VEE WIPER	2		Part Of Kit P/N 10756
10	LN060010	CROSS SLIDE	1		
11	LM060020	CROSS SLIDE WIPER	1		Part Of Kit P/N 10756
12	LM060030	CROSS SLIDE WIPER	1		Part Of Kit P/N 10756
13	LM060040	CROSS SLIDE WIPER	1		Part Of Kit P/N 10756
14	LN110030	BRACKET	1		
15	KR050020	ADJUST SCREW	2	39mm	
16	KR050030	ADJUST SCREW	2	27mm	
17	KR050090	ADJUST SCREW	1	63mm	
18	LN110110		1		
19	LN050160	BOLT	1		
20	AKP207050	TAPER PIN	2	#7x50L	
21	ASM105016	BUTTON HEAD SCREW	16	M5x16L	
22	ASM416012	HEADLESS HEAD SCREW	2	M16x12L	
23	ASM610040	CAP HD SCREW	4	M10x40L	
24	ASM612050	CAP HD SCREW	10	M12x50L	
25	ASM612130	CAP HD SCREW	4	M12x130L	
26					
27					
28					
29					
30					
31					
32					
33					
34					
35					



Tailstock Assembly

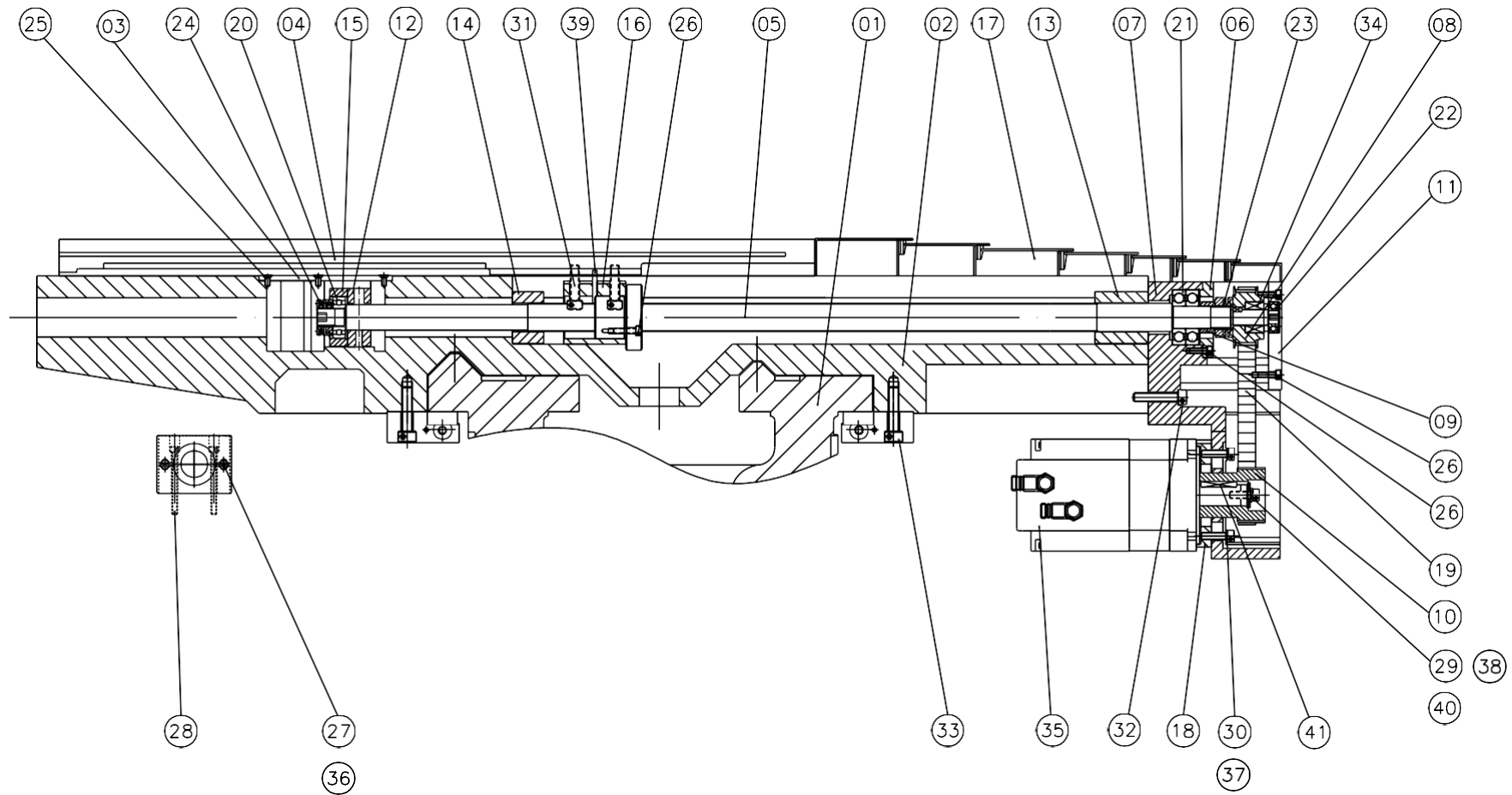
## TAILSTOCK ASSEMBLY

No	Part Number	Description	Q'ty	Remarks	XYZ Part Number
1	LM090010	TAILSTOCK BODY	1		Assembly P/N 14514
2	LM090020	TAILSTOCK QUILL	1		
3	LN090030	TAILSTOCK BASE	1		14518
4	LM090050	CLAMP PLATE	2		Assembly P/N 14514
5	LM090060	LEADSCREW	1		Assembly P/N 13935
6	LM090070	LEADSCREW NUT	1		Assembly P/N 13935
7	LM090080	QUILL CLAMP BLOCK	1		
8	LM090110	HAND LEVER	1		
9	LM090140	QUILL CLAMP BLOCK	1		
10	LM090160	END TAIL BASE	1		
11	LN090170	BOLT	2	310L	
12	LM090190	SET SCREW	1		
13	LM090210	QUILL CLAMP BLOCK	1		
14	LM090220	HANDWHEEL	1		18564
15	LM090230	INDEX RING	1		
16	LM090280	TAILSTOCK FLAT WIPER	2		Part Of Kit P/N 10756
17	LM090290	TAILSTORK VEE WIPER	2		Part Of Kit P/N 10756
18	LM090300	COVER	1		
19	LM090310	AIR FILTER	1		4915
20	LM090320	AIR SWITCH	1		12585
21	LM090330	PLASTIC HANDLE	1		
22	LM090340	INDICATOR SCALE PLATE	1		
23	LM090350	INDICATOR PLATE	1		
24	LN090360	AIR PIPE	1		
25	LM090370	ELBOW	1		14222
26	LM090380	AIR PIPE	1		10218
27	LM090390	ELBOW	1		
28	LM090400	ADAPTOR	1		
29	LM090410	OILONG CUPS	2		
30	LM090430	BUTTON HEAD CAP SCREW	1		
31	LM090440	WASHER	1		
32	LM090450	SET SCREW	1		
33	LM090460	SET CIRCULAR CYLINDER	1		
34	LM090500	COVER	1		
35	LM090510	WHELL WORM	1		

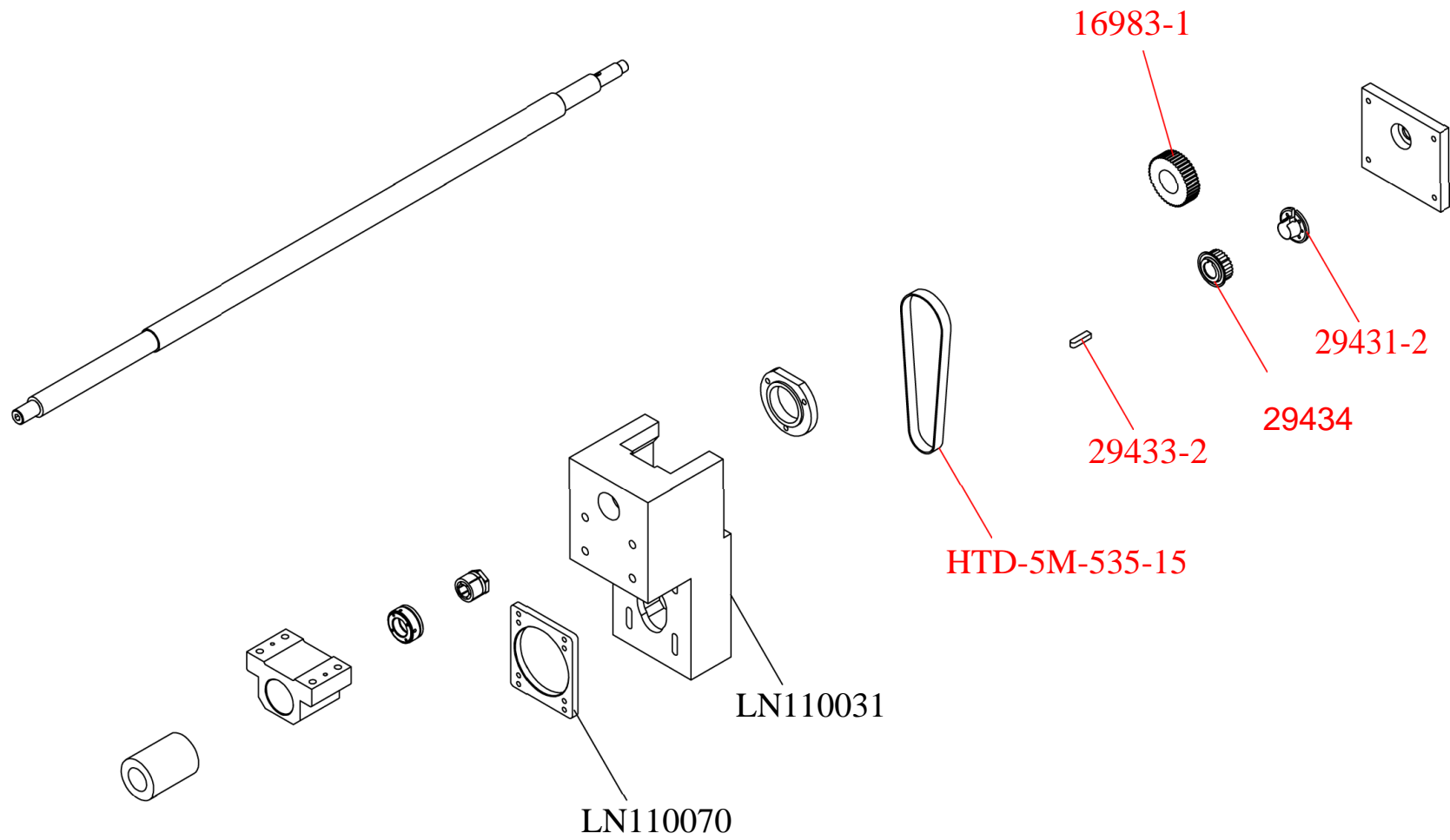
## TAILSTOCK ASSEMBLY

No	Part Number	Description	Q'ty	Remarks	XYZ Part Number
36	LM090520	SHAFT	1		
37	LM090530	HANDLE	1		
38	LM090540	BEARING BRACKET	1		
39	LM090550	WORM GEAR	1		
40	AB51105	BEARING	4	51105	
41	AK0807025	KEY	2	8x7x25L	
42	ANM125020	NUT	2	M20x2.5	
43	ANM315025	FLOWER NUT	2	M25x1.5	
44	AOR130105	OIL RING	1	ø105x13.5	
45	ASM105010	BUTTON HEAD SCREW	8	M5x10L	
46	ASM606020	CAP HD SCREW	2	M6x20L	
47	ASM608020	CAP HD SCREW	4	M8x20L	
48	ASM610060	CAP HD SCREW	4	M10x60L	
49	ASM612075	CAP HD SCREW	2	M12x75L	
50	AWMF01025	FLOWER WASHER	1	M25	
51	AWMH01020	WASHER	2	M20	
52	AWMT01012	WASHER	2	M12	
53					
54					
55					
56					
57					
58					
59					
60					
61					
62					
63					
64					
65					
66					
67					
68					
69					
70					
71					
72					
73					





# X Axis Drive Assembly



## X AXIS DRIVE ASSEMBLY

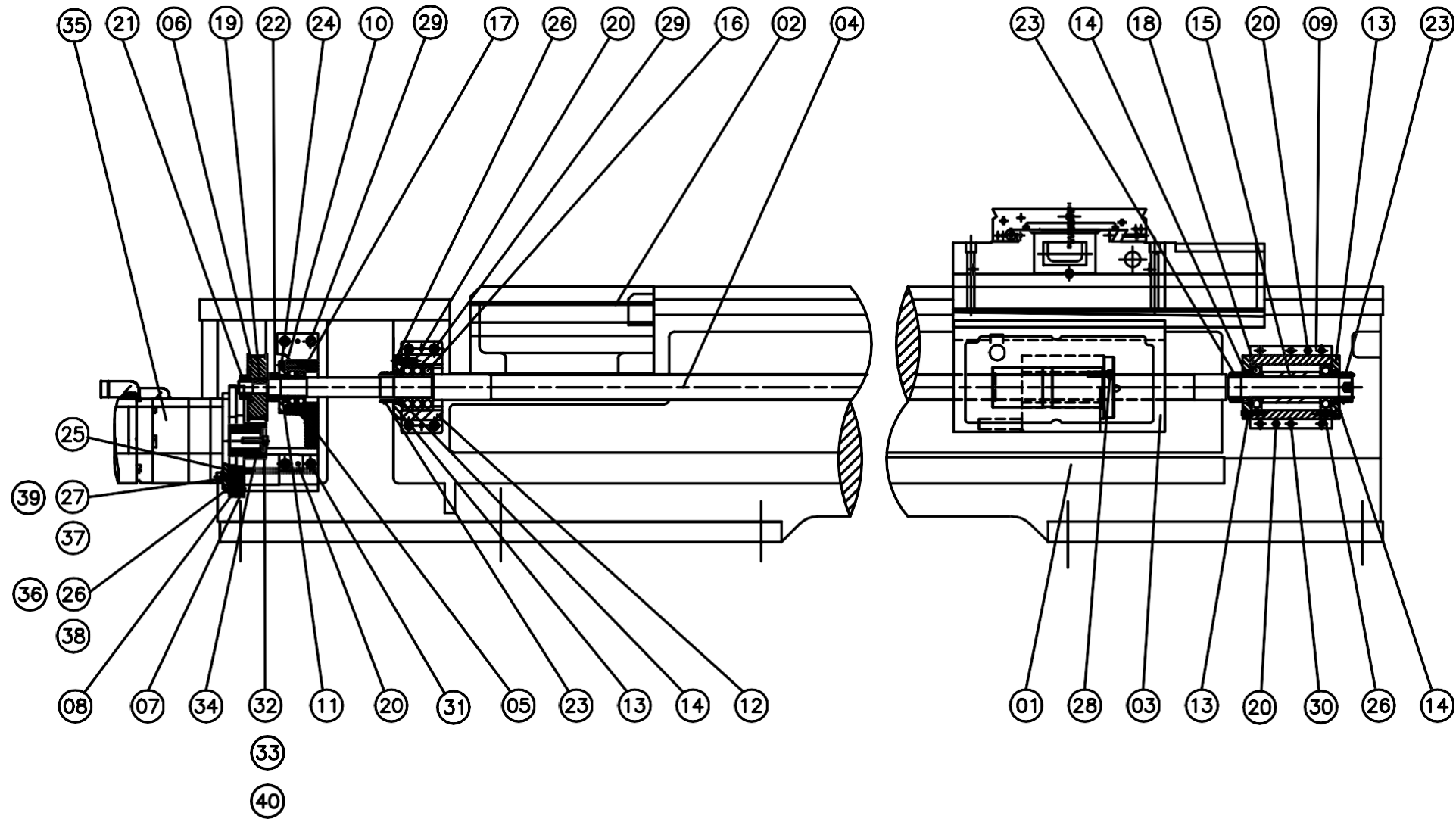
No	Part Number	Description	Q'ty	Remarks	XYZ Part Number
1	LN040010	BED	1		
2	LN050010	SADDLE	1		
3	LN050210	DOG	1		
4	LN060010	CROSS SLIDE	1		
5	LN110010	BALL SCREW	1		13803
6	LN110020	BEARING COVER	1		
7	LN110030	BRACKET	1		
8	LN110040	PULLEY	1		5864
9	LN110050	SPACER	1		
10	LN110090	MOTOR PULLEY	1		17177 + 17179
11	LN110110		1		
12	LN110120		1		
13	LN110150	RUBBER	1		
14	LN110160	RUBBER	1		
15	LN110220	BEARING BLOCK	1		
16	LM110080	APRON-BALL SCREW NUT	1		
17	LN400450	COVER-X AXIS	1		
18	KR110076	MOTOR ADJUST PLATE	1		
19	ABE0300600	BELT	1	535-5M-15	778
20	AB62042	BEARING	1	6204ZZ	13157
21	AB2562	BEARING	2	25BS62DH	5653
22	AB6202	BEARING	1	6202ZZ	12157
23	ANN515025	LOCK NUT	1	MRK M25x1.5	
24	ANN515020	LOCK NUT	1	MRK M20x1.5	
25	ASM305010	FLAT HEAD SCREW	6	M5x10L	
26	ASM606025	CAP HD SCREW	11	M6x25L	
27	ASM606035	CAP HD SCREW	2	M6x35L	
28	ASM606070	CAP HD SCREW	2	M6x70L	
29	ASM608025	CAP HD SCREW	1	M8x25L	
30	ASM608030	CAP HD SCREW	4	M8x30L	
31	ASM610040	CAP HD SCREW	4	M10x40L	
32	ASM610050	CAP HD SCREW	4	M10x50L	
33	ASM612050	CAP HD SCREW	10	M12x50L	
34	SDS18		1		
35	1FK7063	MOTOR	1	1FK7063-2AF1-1RAO	

***PARTS LIST***

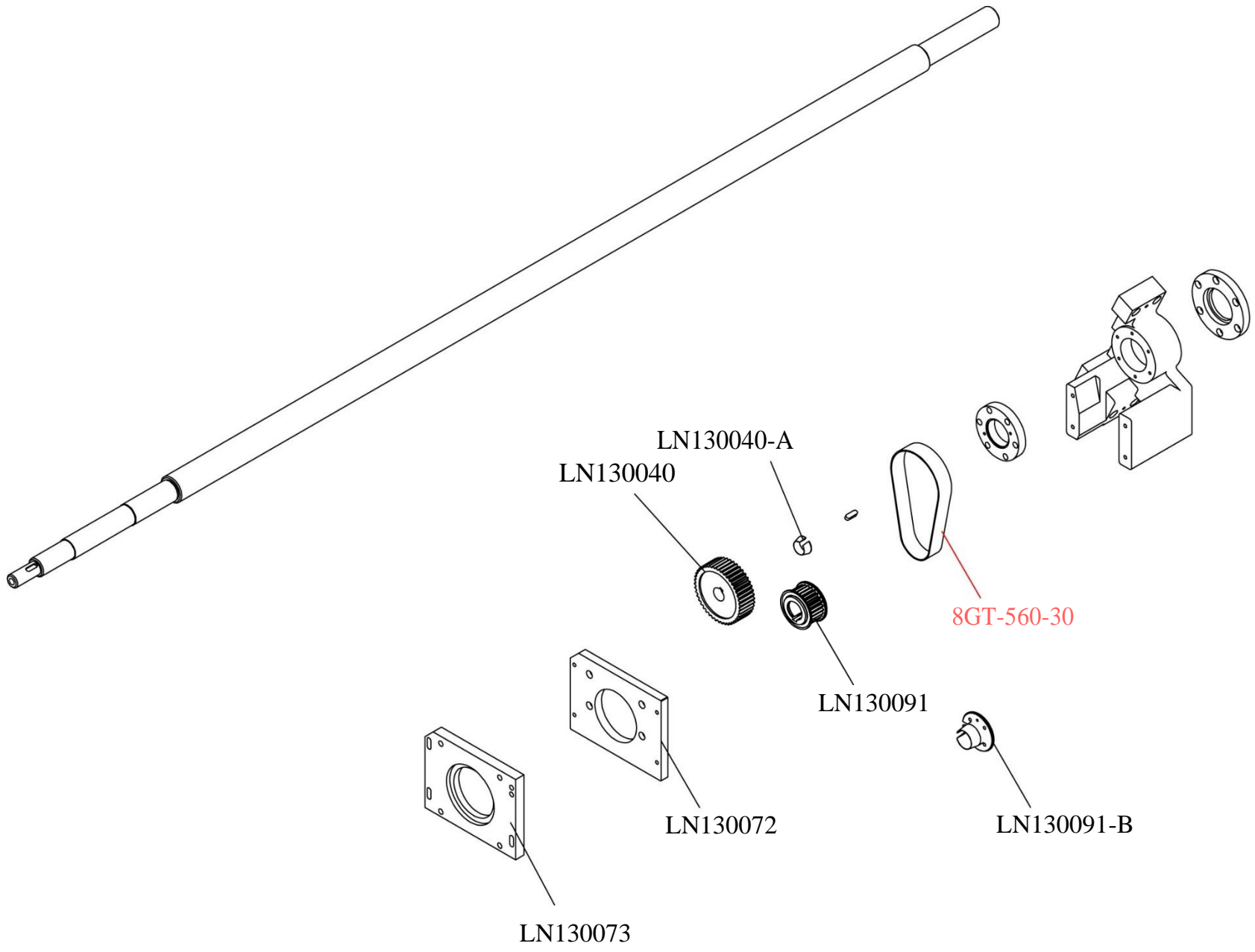
---

---

36	AWMS01006	WASHER	6	M6	
37	AWMS01008	SPRING WASHER	4	M8	
38	AWMS01008	SPRING WASHER	1	M8	
39	AKP105040	PINS	2	5x40L	
40	HX-059-9	WASHER	1		
41	AK0807030	KEY	1	8x7x30L	



Z Axis Drive Assembly



Z Axis

## Z AXIS DRIVE ASSEMBLY

No	Part Number	Description	Q'ty	Remarks	XYZ Part Number
1	LN040010	BED	1		
2	LM040020	SEAT	1		
3	LN050080	APRON/BALL NUT BRACKET	1		
4	LM130011	BALL SCREW	1		17347
5	LN130020	BRACKET	1		
6	LM130043	PULLEY	1		17943
7	LN130070	MOTOR ADJUST PLATE	1		
8	LN130078	MOTOR ADJUST PLATE	1		
9	LN130100	BEARING BLOCK	1		
10	LM130110	BEARING COVER	1		
11	LM130130	SPACER	1		
12	LM130150	BEARING BLOCK	1		
13	LM130160	BEARING COVER	3		
14	LM130170	SPACER	2		
15	LM130180-A	SPACER	1		
16	AB4090	BEARING	3	40BS90DH	10767
17	AB6207	BEARING	2	6207ZZ	13815
18	AB6308	BEARING	2	6308ZZ	13814
19	AK0807025	KEY	1	ψ8xψ7x25L	
20	AKP106057	SPRING PIN	6	ψ6x57L	
21	ANN520025	LOCK NUT	1	MKR M25x1.5	
22	ANN515035	LOCK NUT	1	MKR M35x1.5	
23	ANN515040	LOCK NUT	3	MKR M40x1.5	
24	ASM606025	CAP HD SCREW	6	M6x25L	
25	ASM608025	CAP HD SCREW	4	M8x25L	
26	ASM608030	CAP HD SCREW	22	M8x30L	
27	ASM610030	CAP HD SCREW	4	M10x30L	
28	ASM610040	CAP HD SCREW	8	M10x40L	
29	ASM610045	CAP HD SCREW	10	M10x45L	
30	ASM610070	CAP HD SCREW	6	M10x70L	
31	ASM610100	CAP HD SCREW	2	M10x100L	
32	ASM612040	CAP HD SCREW	1	M12x40L	
33	H-164-10A	WASHER	1		
34	LN130090	MOTOR PULLEY	1		17944
35	1FK7083	MOTOR	1		

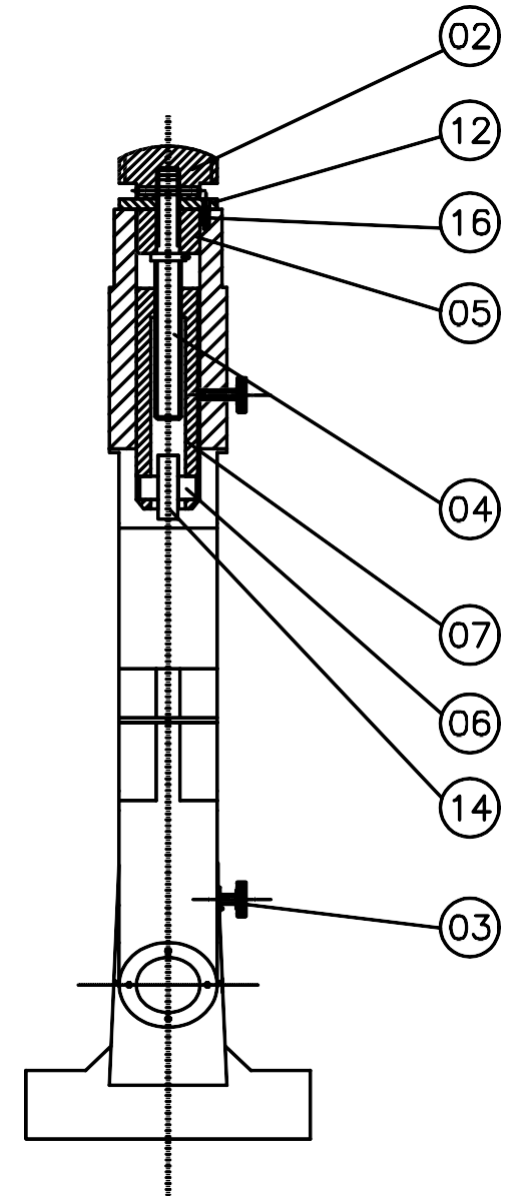
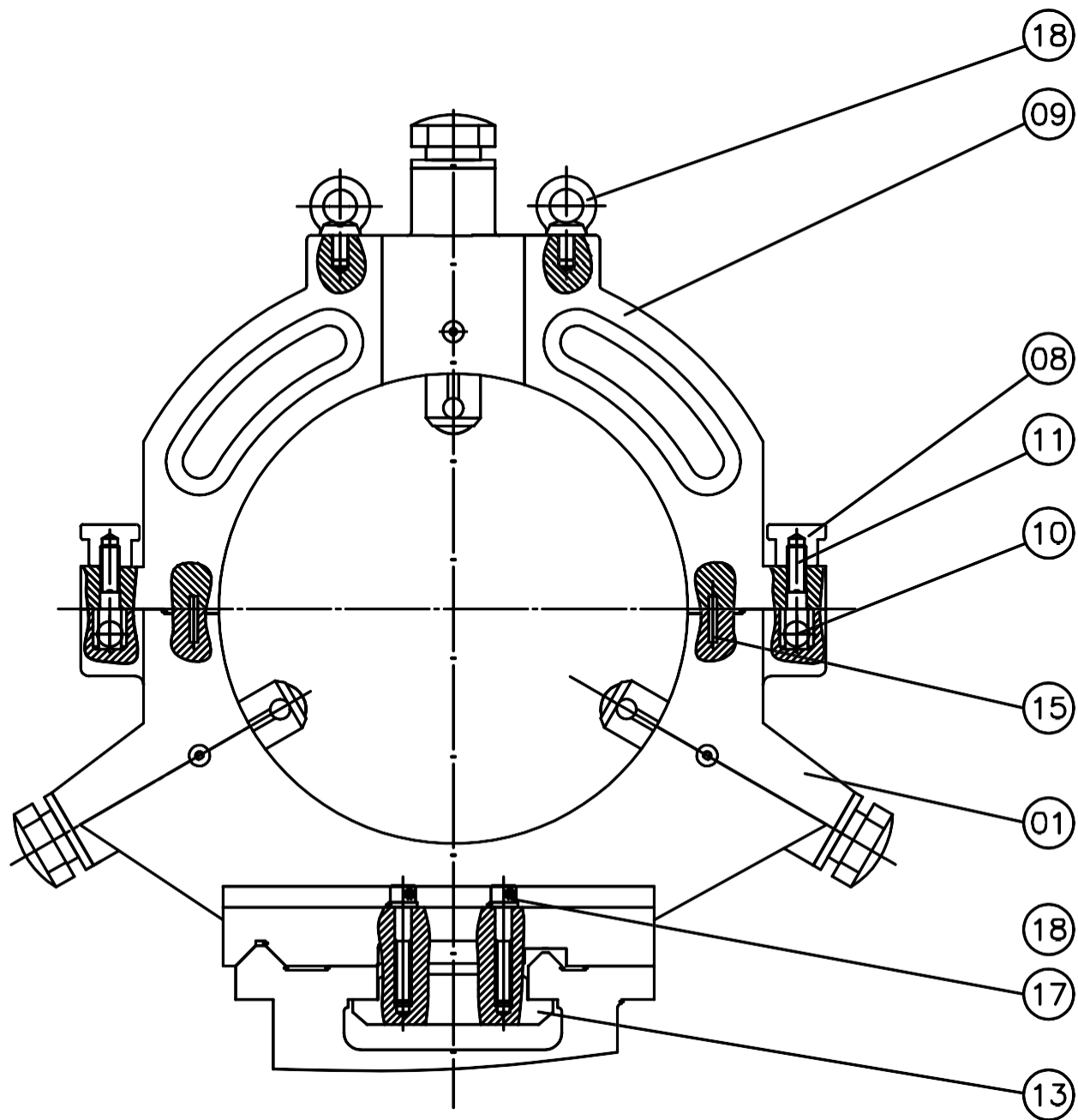
***PARTS LIST***

---

---

36	AWMH01080	WASHER	4	M8	
37	AWMH01100	WASHER	4	M10	
38	AWMS01080	SPRING WASHER	4	M8	
39	AWMS01100	SPRING WASHER	4	M10	
40	AWMS01120	SPRING WASHER	1	M12	

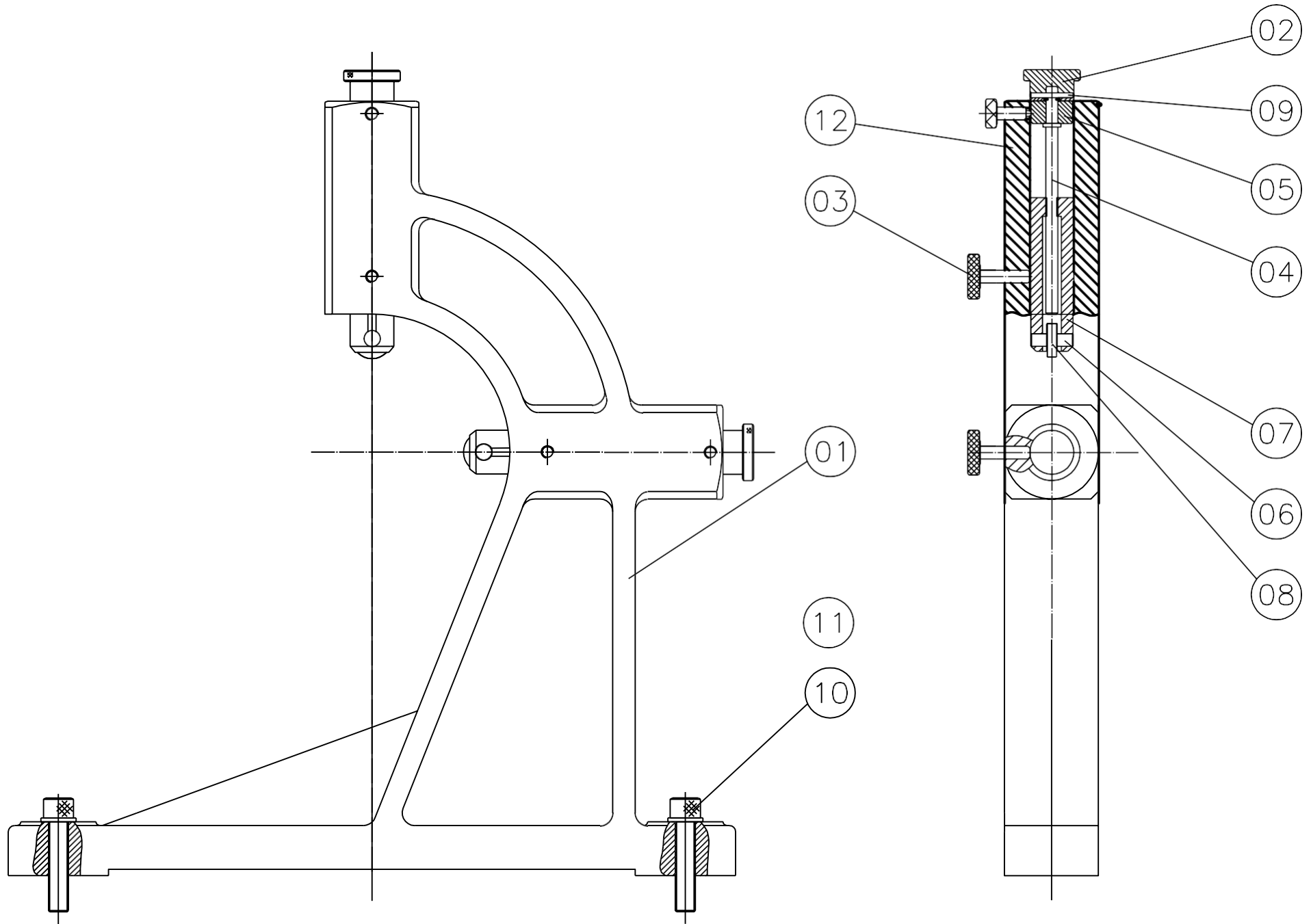




## Stationary Steady

## STATIONARY STEADY

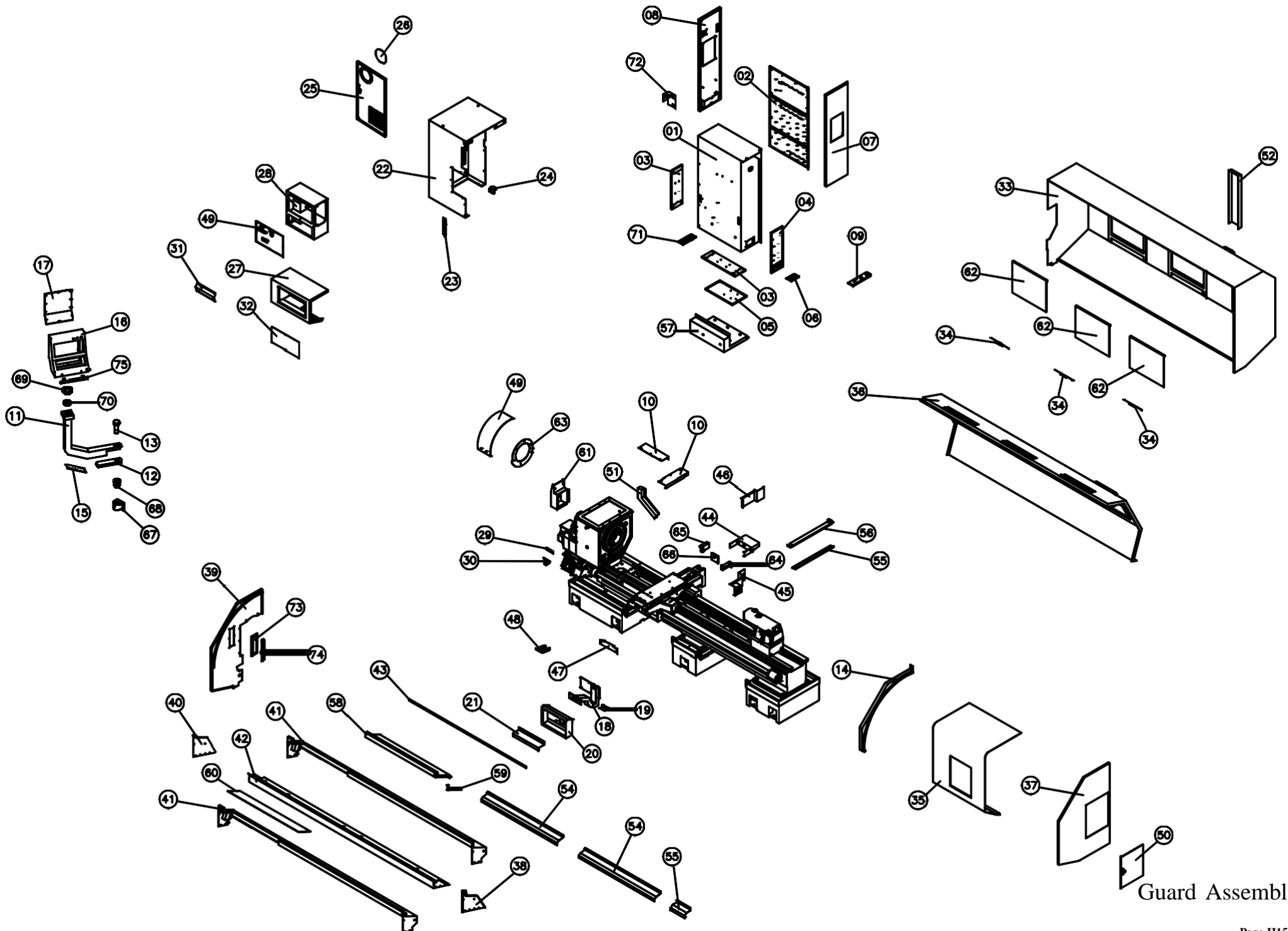
No	Part Number	Description	Q'ty	Remarks	XYZ Part Number
1	LN220020	STATIONARY STEADY BASE	1		
2	LN220030	COLLAR	3		
3	LN220040	COLLAR-CLAMP SCREW	3		
4	LN220050	FINGER SCREW	3		
5	LN220060	RETAINING BUSH-FINGER	3		
6	LN220070	BEARING SHAFT	3		
7	LN220080	PAD TYPE FINGER	3		
8	LN220090	COLLAR-STEADY TOP CLAMP	2		
9	LN220100	STATIONARY STEADY TOP	1		
10	LN220110	PIVOP PIN	2		
11	LN220120	FIXED BOLT	3		
12	LN220130	BUSHING	3		
13	LN090050	BASE CLAMP PLATE	1		
14	LN500030	BEARING	3		18565
15	AKP110055	PIN	2	ø10x55L	
16	ASM606015	CAP HD SCREW	9	M6x15L	
17	ASM620120	CAP HD SCREW	4	M20x120L	
18	AWMH01020	WASHER	4	M20	
19		EYE BOLT	2	M20	
20					
21					
22					
23					
24					
25					
26					
27					
28					
29					
30					
31					
32					
33					
34					
35					
36					
37					
38					



Travelling Steady

**TRAVELLING STEADY**

No	Part Number	Description	Q'ty	Remarks	XYZ Part Number
1	LN230010	TRAVELLING STEADY BASE	1		
2	LN220030	COLLAR	4		
3	LN220040	COLLAR-CLAMP SCREW	2		
4	LN220050	FINGER SCREW	2		
5	LN220060	RETAINING BUSH-FINGER	2		
6	LN220070	BEARING SHAFT	2		
7	LN220080	PAD TYPE FINGER	2		
8	LN500030	BEARING	2		18564
9		PIN	2		
10	ASM616045	CAP HEAD SCREW	2	M16x45L	
11	AWMH01016	WASHER	2	M16	
12					
13					
14					
15					
16					
17					
18					
19					
20					
21					
22					
23					
24					
25					
26					
27					
28					
29					
30					
31					
32					
33					
34					
35					



Guard Assembly

## GUARD ASSEMBLY

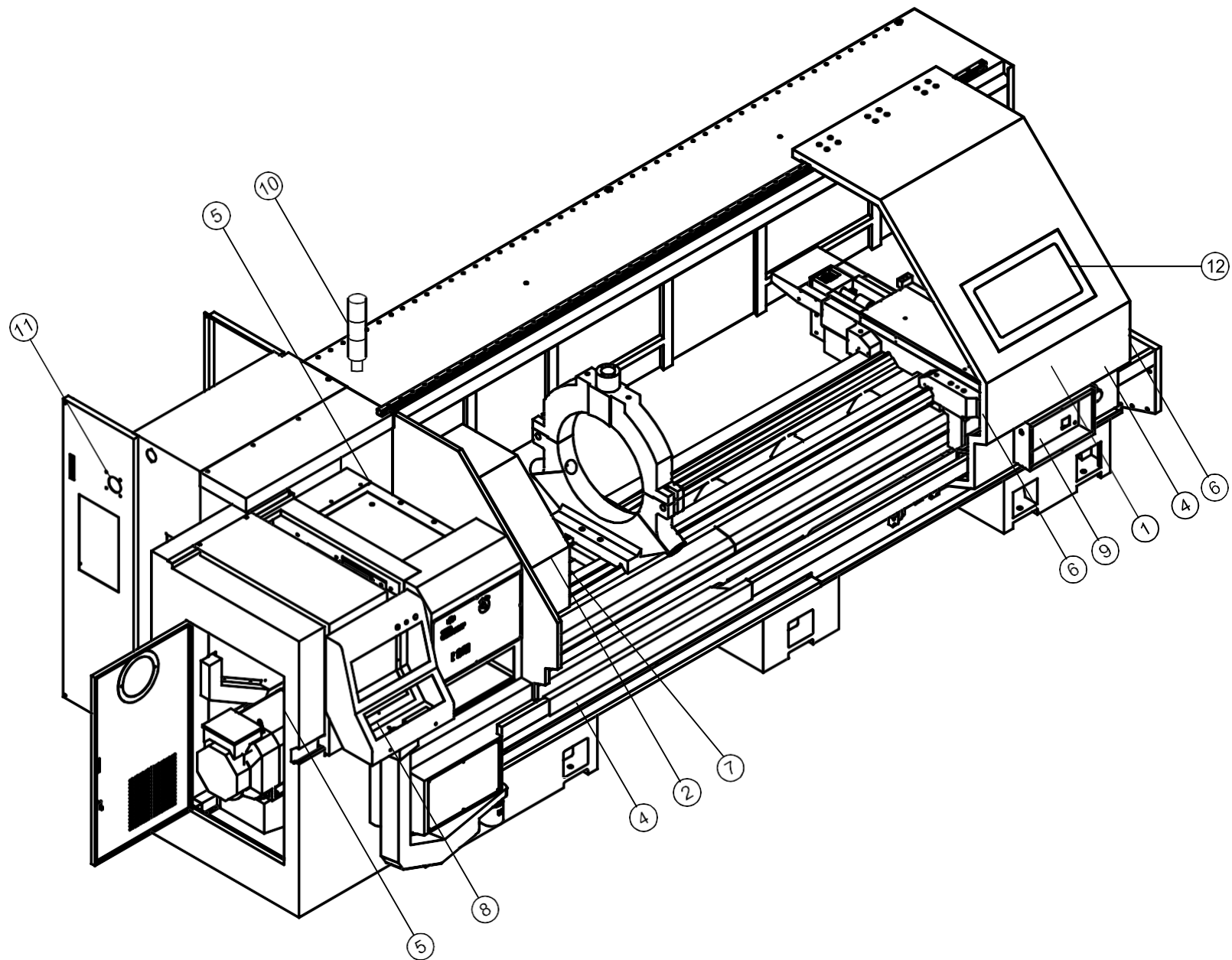
No	Part Number	Description	Q'ty	Remarks	XYZ P/N
1	LN400010	ELECTRICAL CABINET	1		
2	LN400010-A	BACKING BOARD	1		
3	LN400010-B	BACKING BOARD	1		
4	LN400010-C	BACKING BOARD	1		
5	LN400010-D	BACKING BOARD	1		
6	LN400010-F	BACKING BOARD	1		
7	LN400010-G	ELEC CABINET RIGHT DOOR	1		
8	LN400010-H	ELEC CABINET LEFT DOOR	1		
9	LN400010-M	BACKING BOARD	1		
10	LN400040	COVER-HEAD END REAR	1		
11	LN400050	BRACKET ARM	1		
12	LN400050-A	STAND SUPPORTING	1		
13	LN400050-B	ROTARY SHAFT	1		
14	LN400060	STAND SUPPORTING	1		
15	LN400050-D	BRACKET ARM COVER	1		
16	LN400080	CONTROL BOX	1		
17	LN400080-A	BACK COVER	1		
18	LN400090	BOX-MPG CONTROL	1		
19	LN400090-A	STAND SUPPORTING	1		
20	LN400100	BOX-MPG CONTROL	1		
21	LN400100-A	COVER	1		
22	LN400210	COVER-HEAD END	1		
23	LN400210-A	COVER-HEAD END BRACKET	1		
24	LN400210-B	COVER-HEAD END BRACKET	1		
25	LN400230	DOOR-HEAD END	1		
26	LN400230-A	DOOR COVER	1		
27	LN400260	COVER-HEAD END FRONT	1		
28	LN400260-A	CONTROL BOX	1		
29	LN400260-B	CONTROL BOX BRACKET	1		
30	LN400260-C	CHANGE LEVER STRUTTING SEAT	1		
31	LN400260-D	ELECTRIC LAMP SHADE	1		
32	LN400270	COVER PLATE-HEAD END FRONT	1		
33	LN400280	GUARD-REAR	1		
34	LN400280-A	GUARD-REAR COVER	1		
35	LN400290	COVER PLATE-REAR	1		
36	LN400300	GUARD-FRONT DOOR-LEFT	1		
37	LN400310	GUARD-RIGHT	1		
38	LN400310-A	GUARD-RIGHT COVER	1		

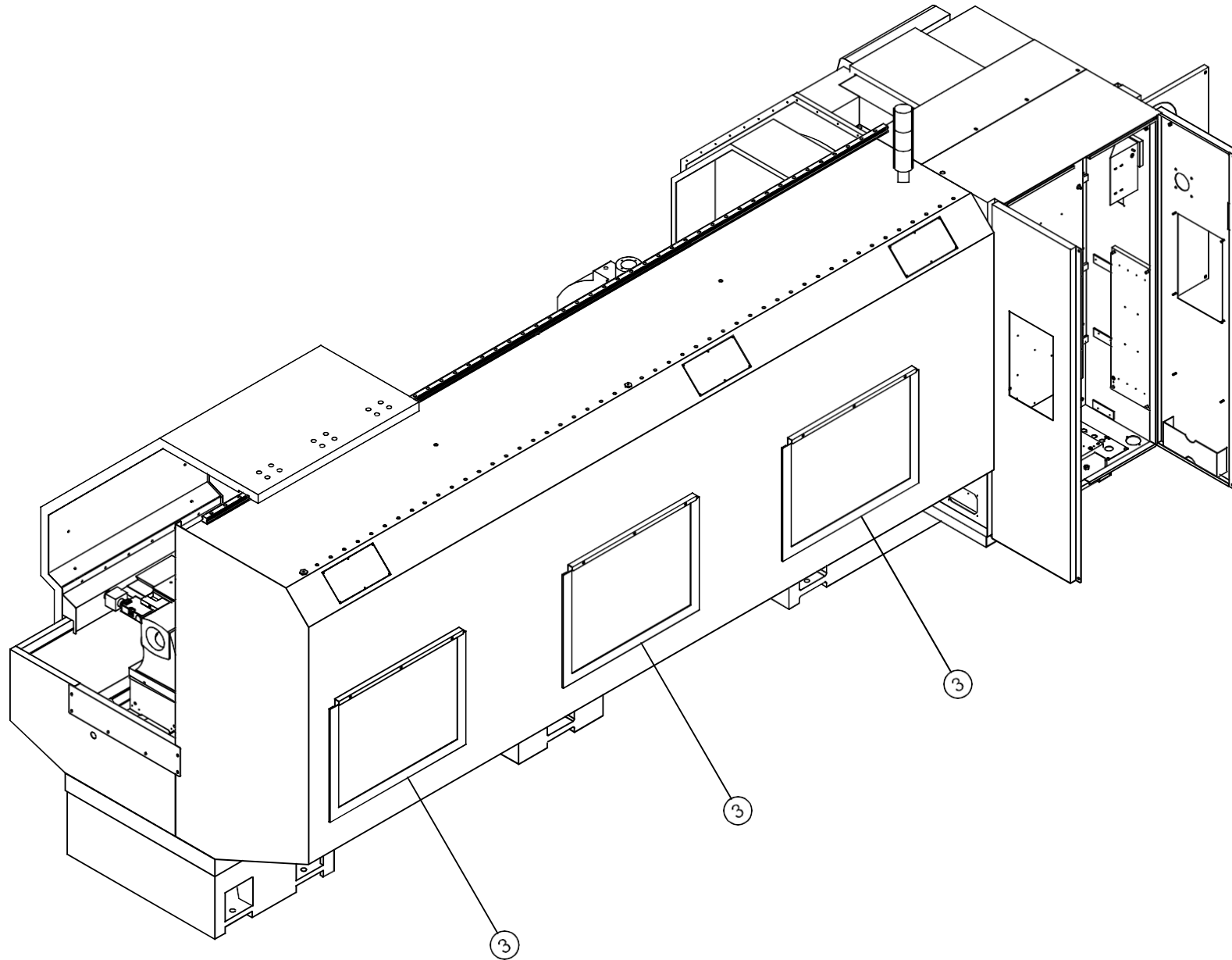
**GUARD ASSEMBLY**

<b>No</b>	<b>Part Number</b>	<b>Description</b>	<b>Q'ty</b>	<b>XYZ Part number</b>
39	LN400320	GUARD-LEFT	1	
40	LN400320-A	GUARD-LEFT COVER	1	
41	LN400330	GUARD-FRONT	2	
42	LN400340	GUARD-FRONT TRAY	1	
43	LN400360	COVER-RIGHT TRACK	1	
44	LN400420	COVER-X AXIS MOTOR	1	
45	LN400440	COVER	1	
46	LN400460	COVER	1	
47	LN400480	COVER-SADDLE	1	
48	LN400490	BED FRONT COVER LINE COVER	1	
49	LN400590	STRUTTING SEAT	1	
50	LN400711	TAILSTOCK BODY COVER	1	
51	LN400830	TRUNKING COVER	1	
52	LN400840	TRUNKING COVER	1	
53	LN400860	COVER	2	
54	LN400860-A	COVER	1	
55	LN400880	SADDLE PROTECTIVE TUBE	1	
56	LN400880-A	SADDLE PROTECTIVE TUBE	1	
57	LN410210	ELECTRICAL CABINET BRACKRT	1	
58	LN410230	SLIDE DOOR	1	
59	LN410230-B	COVER	1	
60	LN410300	COVER	1	
61	LN410360	SUMP WATER COLLECTING	1	
62	LN410370	BACK WINDOW	1	
63	LN010660	LIMIT COLLAR	1	
64	LN050220	RIGHT FACK ORBIT	1	
65	LN050230	LEFT FACK ORBIT	1	
66	LN110130	GEARING SEAT BACK COVER	1	
67	HY-036-9	BRACKET ARM FIXED SEAT	1	
68	HY-045-9	CONTROL BOX REMOVABLE PLATE SEAT	1	
69	KR400170	BRACKET ARM BUSH	1	
70	KR400180	CONTROL BOX REMOVABLE PLATE SEAT	1	
71	TA410010-H1	PROTECTIVE TUBE ADAPTER PLATE	1	
72	TN410010-E1	POWER SWITCH SEAT	1	
73	TN420470	PULLEY	1	
74		LED	1	
75		HAND HOLD	1	
76	KR400662	BRASS DOOR ROLLER Ø50mm	12	









**SAFETY DEVICE**

No	Part Number	Description	Q'ty	Remarks	XYZ Part number
1		Saddle machine guard	1		
2		Chuck guard	1		
3		Service guard	3		
4	440G-T27121	Safety interlock door switch	2		12677
5	440K-A17116	Guard switch	2		
6	SKL15-10TT	Door and Guard edge sensors	2		16999
7	ZCP27	Chuck switch	1		3351
8		Emergency stop button	1	SIEMENS	16273
9	YW1B-V4E02R	Emergency stop button	1		
10	AWL-D1-3RWG-N-BTL6-D24	Alarm light	1		
11	LV429840AD	Main power switch	1		17118
12		Safety window	1		18389 + 15033
13					
14					
15					
16					
17					
18					
19					
20					
21					
22					
23					
24					
25					
26					
27					
28					
29					
30					
31					
32					
33					
34					
35					
36					
37					

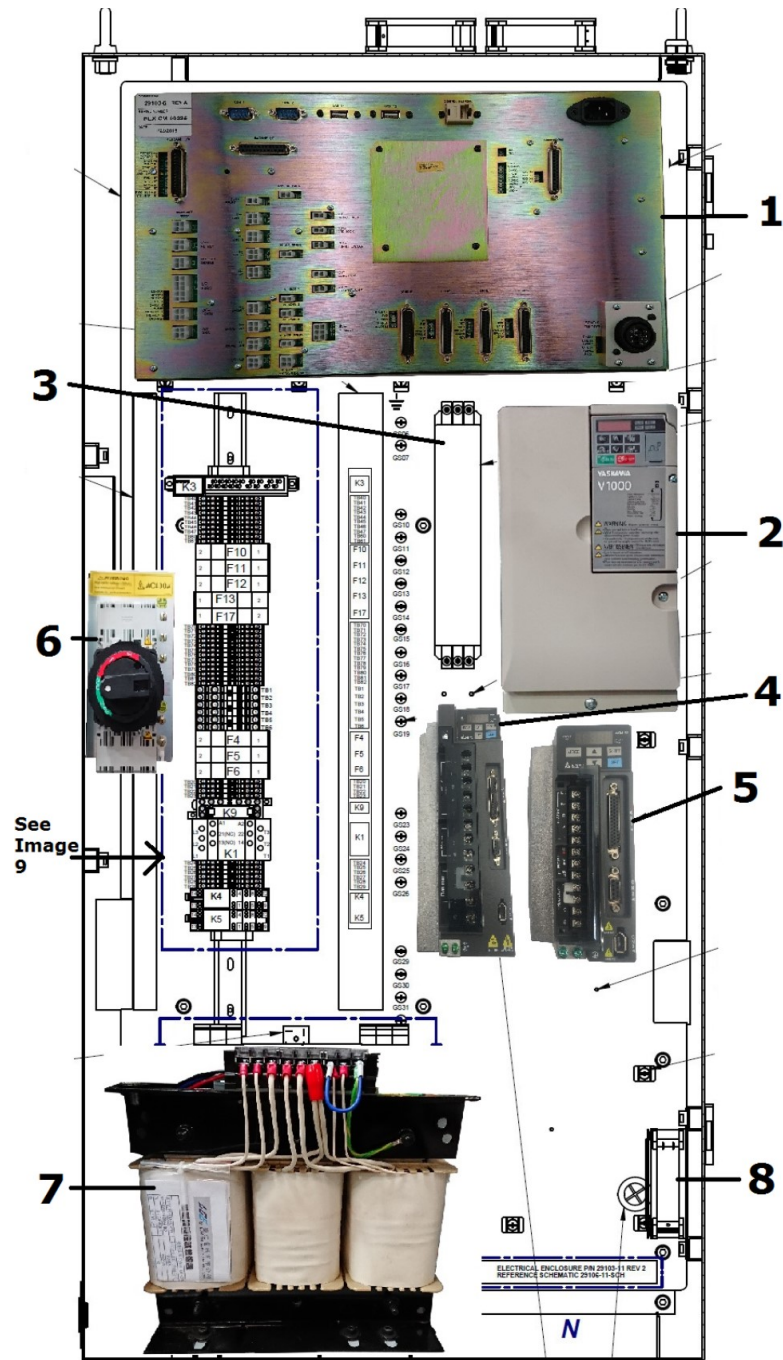
# RLX 780

## Parts Guide

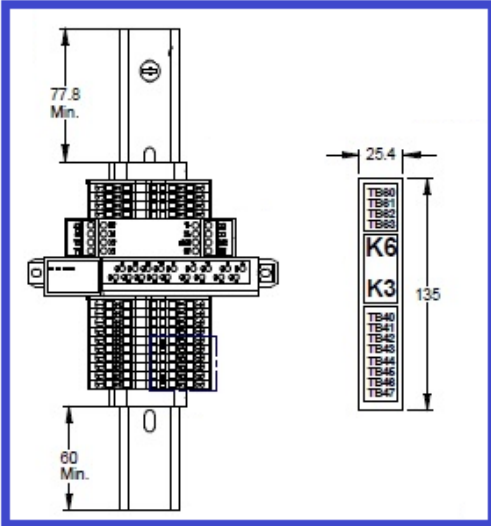


<u>Category</u>	<u>Page Number</u>
Electrical Cabinet	2-3
Motor's, Cable's & Drives	4-5
Switches & Buttons	5-6
Handwheel & Jog Stick	6-7
Pendant & Module	7
Pumps	6
Other Electrical Parts	7-8
Pneumatic & Coolant	9
Main Door & Windows	9-10
Belt's	10
Drag Chain & Wipers	11
Tooling Inc Chucks/Toolpost/ Steady & Drilling Attachment	11-13

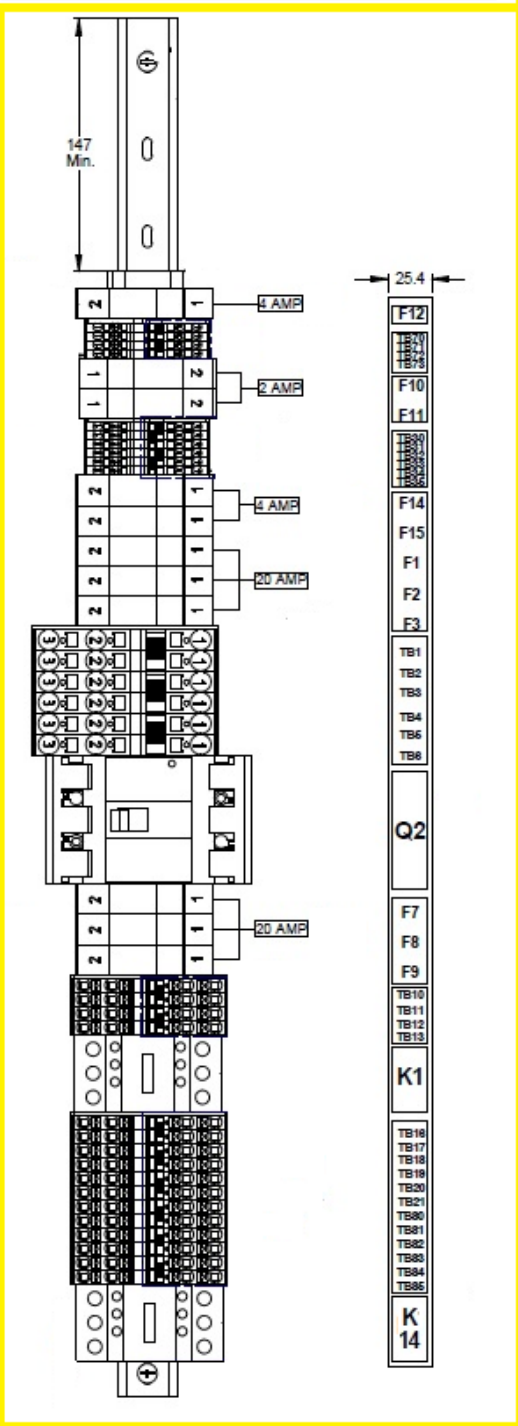
## Electrical Cabinet



<u>Item Number</u>	<u>Description</u>	<u>XYZ Part Number</u>
1	RLX Computer Module	18400
2	Inverter 22 KW	17767
3	Schaffner Line Filter	16782
4	Delta Servo Driver 1KW	18365
5	Delta Servo Driver 3KW	17623
6	Door Isolator Switch 75A	17118
7	Transformer 3 Phase	18769
8	Cabinet Fan 220V AC	14663

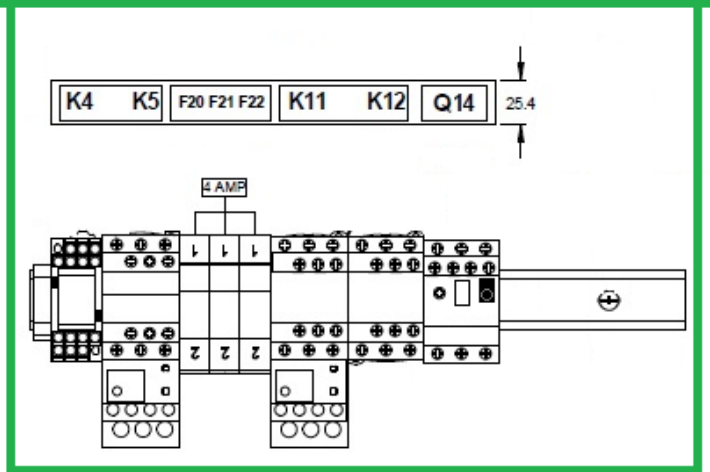


ITEM	Description	XYZ Part Number
K6	Elmon Rail 39-726	16113
K3	Omron G9SE-401 24v DC	15052



F12	Fuse 4 A 10x38mm	6622
F10	Fuse 2 A 10x38mm	6616
F11	Fuse 2 A 10x38mm	6616
F14	Fuse 4 A 10x38mm	6622
F15	Fuse 4 A 10x38mm	6622
F1	Fuse 20 A 10x38mm	6620
F2	Fuse 20 A 10x38mm	6620
F3	Fuse 20 A 10x38mm	6620
Q2	Fuji BW50 EAG 50A, inc handle	16915
F7	Fuse 20 A 10x38mm	6620
F8	Fuse 20 A 10x38mm	6620
F9	Fuse 20 A 10x38mm	6620
K1	Tele Contactor LC1 D25 24vDC	18481
K14	Tele Contactor LC1 D25 24vDC	18481
&	Tele Aux LA DN 40	18483

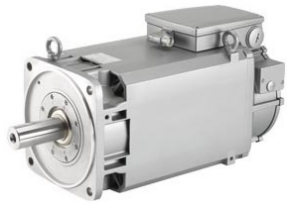
K4	Omron Relay MY2-GS DC24	16270 + 16271
K5	Tele Contactor LC1 9A 24vDC	18482
& Q5	Tele Overload LR3D06 1-1.6	6399
F20	Fuse 4 A 10x38mm	6622
F21	Fuse 4 A 10x38mm	6622
F22	Fuse 4 A 10x38mm	6622
K11	Tele Contactor LC1 9A 24vDC	18482
& Q11	Tele Overload LR3D06 1-1.6	6399
K12	Tele Contactor LC1 9A 24vDC	18482
Q14	Tele Breaker GV2ME03 0.25-0.4A	6136



## Motor's, Cable's & Drives

<u>Description</u>	<u>XYZ Part Number</u>	
X Axis Motor	13641	
Z Axis Motor	17662	
X Axis Drive	18365	
Z Axis Drive	17623	
X Axis Motor Encoder Cable	17523	
X Axis Motor Power Cable	17522	
Z Axis Motor Encoder Cable	17525	
Z Axis Motor Power Cable	17524	

## Motor's, Cable's & Drives





<u>Description</u>	<u>XYZ Part Number</u>	
Main Spindle Motor	17677	

## Switches, Buttons & Relays



<u>Description</u>	<u>XYZ Part Number</u>	
E-Stop Button	16273	
Rear Chuck Interlock Panel Switch	14337	
Chuck Guard Switch Key	Switch - 3351 Key - 14383	
Door Safety Strip Fits Left & Right	16999	
Safety Edge Controller Relay	16113	
Interlock For Access Via Sliding Panel To Main Chuck & Saddle	12677	






## Switches, Buttons & Relays

<u>Description</u>	<u>XYZ Part Number</u>	
Door Isolator Switch 75A	17118	
Gear Selector Sensor Switches	7923	
Spindle Operation Switch / Conveyor Switch	18395	
Spindle Jog Button's	12316	


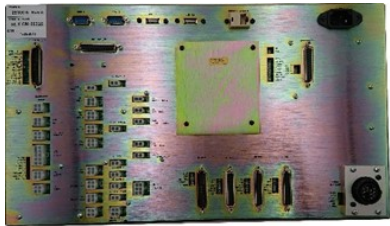
## Pump's

<u>Description</u>	<u>XYZ Part Number</u>	
Stairs Coolant Pump	16054	
AutoLube Pump	18388	



**Handwheel's & Jog Stick**

<u>Description</u>	<u>XYZ Part Number</u>	
Z Axis Handwheel	6932	
X Axis Handwheel	465	
Safety Jog Stick	15012	

**Pendant & Module**

<u>Description</u>	<u>XYZ Part Number</u>	
RLX Pendant	17394	
Computer Module	17404	





**Other Electrical Parts**

<u>Description</u>	<u>XYZ Part Number</u>	
Inverter 22KW	17767	
Main Transformer	17231	


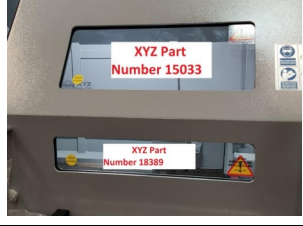

## Other Electrical Parts

<u>Description</u>	<u>XYZ Part Number</u>	
Brake Resistor	18393	
Spindle Encoder	17253	
Work light in Main Sliding Door	16160	
Work Light	15823	
RJ45 / Ethernet Connector	16268	
Electronic Handwheel & Apron Jog Stick Cable	17482	
Brake Resistor Fan 220V AC	18486	



## Pneumatic & Coolant

<u>Description</u>	<u>XYZ Part Number</u>	
Air Regulator Unit	10962	
Tailstock Assembly Air Pipe	10218	
Coolant Nozzle Assembly	12585	
Armoured Coolant Pipe	18392	





## Main Door & Window's

<u>Description</u>	<u>XYZ Part Number</u>	
Small Bottom Window	18389	
Top Window	15033	
Window Silicon	11661	

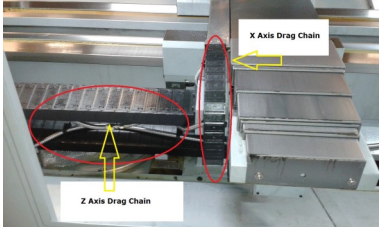
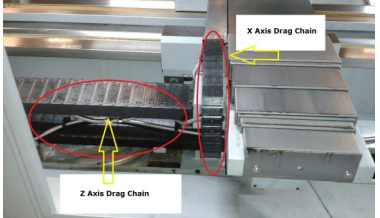
## Chillers

<u>Description</u>	<u>XYZ Part Number</u>	
Main Heat Exchanger	18390	
Oil Chiller	18391	


## Belt's

<u>Description</u>	<u>XYZ Part Number</u>	
X Axis Belt	18376	
Z Axis Belt	17945	
Spindle Encoder Belt	18375	
Spindle Belt Set	13888	

## Drag Chain / Wiper's

<u>Description</u>	<u>XYZ Part Number</u>	
Z Axis Chain 2300mm Long	17228	
X Axis Chain 612mm Long	17227	

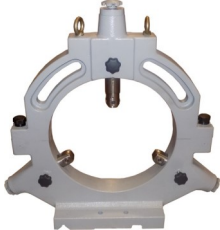

## Chuck's

<u>Description</u>	<u>XYZ Part Number</u>	
500mm Scroll 3 Jaw Chuck Supplied With The Machine	13770	
630mm Independent 4 Jaw Chuck <b>Cast Iron</b>	13840	
630mm Independent 4 Jaw Chuck <b>Steel</b>	18112	
16" Rear Mount Chuck	18038	
Chuck Guard For 630mm 4 Jaw Chuck	13980	

## Chuck's

<u>Description</u>	<u>XYZ Part Number</u>	
Chuck Guard For Rear Mount Chuck	18033	
Soft Jaws To Suit 500mm 3 Jaws Chuck	13947	
Soft Jaws For 630mm 4 Jaw Chuck	15532	
Extended Chuck Key For 500mm Chuck	14047	
Extended Chuck Key For 630mm Chuck	14604	

## Steady Options

<u>Description</u>	<u>XYZ Part Number</u>	
Fixed Steady 30-550mm	13798	
Travelling Steady 20-190mm	13800	

## Tool Post / Holders

<u>Description</u>	<u>XYZ Part Number</u>	
S4 Quick Change Tool Post Set	8401	
S4 Standard Holder	8431	
S4 Vee Holder	8950	
S4 Morse Holder	8948	
S4 Plain Bore 50mm Holder	18085	

## Drilling Attachment's

<u>Description</u>	<u>XYZ Part Number</u>	
Drilling Attachment 70mm Bore	13795	